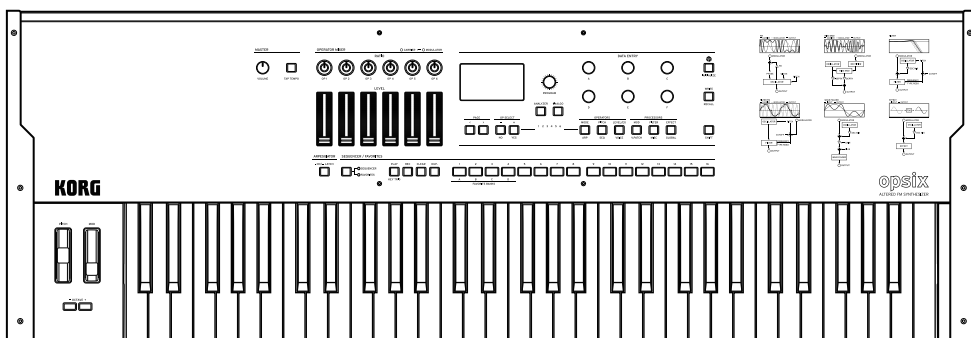


KORG

opsix SE

ALTERED FM SYNTHESIZER

Quick Start Guide
Guide de prise en main
Blitzstart
Guía de inicio rápido
入门指南
クイック・スタート・ガイド



opsix SE

ALTERED FM SYNTHESIZER

Quick Start Guide

Table of Contents

Precautions	2
Introduction	3
About the opsix SE manuals	3
Main Features	3
About the sound generator of the opsix SE	3
Panel description and functions	4
Block Diagram	5
Rear panel connections	5
Connecting the AC adapter	5
Other connections	5
Turning the power on/off	5
Turning the opsix SE On	5
Turning the opsix SE Off	5
Auto Power-Off	5
Playing the opsix SE	6
Playing a program	6
Using the analyzer	6
Performing with the arpeggiator	6
Editing the programs	6
Editing with the operator mixer	6
Easy program editing	6
Randomized editing	6
Detailed editing	6
Saving a program	7
Using the step sequencer	7
Playback and recording on the step sequencer	7
Step recording	7
Other functions	7
Restoring the opsix SE to factory-set default settings	7
Specifications	7
Operator modes	8

Precautions

Location

Using the unit in the following locations can result in a malfunction.

- In direct sunlight
- Locations of extreme temperature or humidity
- Excessively dusty or dirty locations
- Locations of excessive vibration
- Close to magnetic fields

Power supply

Please connect the designated AC adapter to an AC outlet of the correct voltage. Do not connect it to an AC outlet of voltage other than that for which your unit is intended.

Interference with other electrical devices

Radios and televisions placed nearby may experience reception interference. Operate this unit at a suitable distance from radios and televisions.

Handling

To avoid breakage, do not apply excessive force to the switches or controls.

Care

If the exterior becomes dirty, wipe it with a clean, dry cloth. Do not use liquid cleaners such as benzene or thinner, or cleaning compounds or flammable polishes.

Keep this manual

After reading this manual, please keep it for later reference.

Keeping foreign matter out of your equipment

Never set any container with liquid in it near this equipment. If liquid gets into the equipment, it could cause a breakdown, fire, or electrical shock.

Be careful not to let metal objects get into the equipment. If something does slip into the equipment, unplug the AC adapter from the wall outlet. Then contact your nearest Korg dealer or the store where the equipment was purchased.

THE FCC REGULATION WARNING (for USA)

NOTE: This equipment has been tested and found to comply with the limits for a Class B digital device, pursuant to Part 15 of the FCC Rules. These limits are designed to provide reasonable protection against harmful interference in a residential installation. This equipment generates, uses, and can radiate radio frequency energy and, if not installed and used in accordance with the instructions, may cause harmful interference to radio communications. However, there is no guarantee that interference will not occur in a particular installation. If this equipment does cause harmful interference to radio or television reception, which can be determined by turning the equipment off and on, the user is encouraged to try to correct the interference by one or more of the following measures:

Reorient or relocate the receiving antenna.

Increase the separation between the equipment and receiver.

Connect the equipment into an outlet on a circuit different from that to which the receiver is connected.

Consult the dealer or an experienced radio/TV technician for help.

If items such as cables are included with this equipment, you must use those included items.

Unauthorized changes or modification to this system can void the user's authority to operate this equipment.

SUPPLIER'S DECLARATION OF CONFORMITY (for USA)

Responsible Party: KORG USA INC.
Address: 316 SOUTH SERVICE ROAD, MELVILLE, NY
Telephone: 1-631-390-6500
Equipment Type: ALTERED FM SYNTHESIZER
Model: opsix SE

This device complies with Part 15 of FCC Rules. Operation is subject to the following two conditions:

(1) This device may not cause harmful interference, and (2) this device must accept any interference received, including interference that may cause undesired operation.

Notice regarding disposal (EU only)

When this "crossed-out wheeled bin" symbol is displayed on the product, owner's manual, battery, or battery package, it signifies that when you wish to dispose of this product, manual, package or battery you must do so in an approved manner. Do not discard this product, manual, package or battery along with ordinary household waste.

Disposing in the correct manner will prevent harm to human health and potential damage to the environment. Since the correct method of disposal will depend on the applicable laws and regulations in your locality, please contact your local administrative body for details. If the battery contains heavy metals in excess of the regulated amount, a chemical symbol is displayed below the "crossed-out wheeled bin" symbol on the battery or battery package.

Data handling

Incorrect operation or malfunction may cause the contents of memory to be lost, so we recommend that you save important data on USB storage devices or other media. Please be aware that Korg will accept no responsibility for any damages which may result from loss of data.

COPYRIGHT WARNING

- This professional device is intended only for use with works for which you yourself own the copyright, for which you have received permission from the copyright holder to publicly perform, record, broadcast, sell, and duplicate, or in connection with activities which constitute "fair use" under copyright law.

If you are not the copyright holder, have not received permission from the copyright holder, or have not engaged in fair use of the works, you may be violating copyright law, and may be liable for damages and penalties.

KORG TAKES NO RESPONSIBILITY FOR ANY INFRINGEMENT COMMITTED THROUGH USE OF KORG PRODUCTS.

- The content that is built into this product or included with it may not be extracted, recorded, or stored in a form similar to its original state, and distributed or made publicly available on the internet.

The content of this product (such as sound programs, style data, accompaniment patterns, MIDI data, PCM sample data, audio data, operating system etc.) is the copyrighted property of KORG Inc. or is copyrighted material used by KORG Inc. under license from a third party.

You do not need permission from KORG Inc. to use the above content to produce or perform musical works, or to record and distribute such works.

- * All product names and company names are the trademarks or registered trademarks of their respective owners.

Introduction

Thank you for purchasing the Korg opsix SE altered FM synthesizer. To help you get the most out of your new instrument, please read this manual carefully.

About the opsix SE manuals

The documentation for this product consists of the following:

- Quick Start Guide (what you're reading)
- Owner's Manual (PDF download from the Korg website: www.korg.com)

Main Features

- The opsix SE features an FM sound generator that produces complex harmonics by rapidly modulating the basic waveforms of its oscillators using other oscillators.
- In addition to FM synthesis, the opsix SE also features various operator modes such as a ring modulator, wavefolder, effect and so on. The six operators can be combined to create a wide variety of sounds.
- You can use the operator mixer (with sliders and knobs) to directly control the parameters of each operator. This is useful for intuitive editing and making dynamic sound changes when you are performing.
- The opsix SE includes a rich selection of filters including Polysix and MS-20 models, which covers the bases for making sounds like those generated with subtractive synthesis.
- Three high-definition multi-effects are available, and you can select from 30 types for each.
- 500 programs can be called up and saved in an instant.
- Powerful 16-step polyphonic sequencer.
- A spectrum analyzer and an oscilloscope that let you visualize your sound.
- The opsix SE features a 61-key keyboard with aftertouch. Aftertouch is an effect that's applied when you play a key and then press into the keyboard further while holding the key down. The more you press into the key, the stronger the effect. Aftertouch is generally used to control the volume, the sound (cutoff frequency) and the LFO sensitivity.

About the sound generator of the opsix SE

The principles of FM sound generation were discovered and established by Dr. John Chowning at Stanford University in the 1970s, when he was experimenting with vibrato. FM sound generation was later packaged into an LSI chip and put into practical use by Yamaha Corporation. From the beginning of the 1980s, FM tone generation was used as an internal sound source on the Yamaha DX series, personal computers, game machines and cellphones.

- Operator (modulator, carrier)**

The FM (Frequency Modulation) sound generator is based on synthesis elements called "operators." Operators are modulated using simple input waveforms such as sine waves, outputting sounds with complex harmonics. Operators can act as either a modulator or a carrier. The output sound from a modulator feeds into another operator and modifies that operator's output. Carriers receive the output sound from modulators and output the modulated result as audio.

- Algorithms**

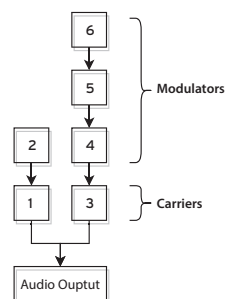
In the FM sound generator, the combination of the roles and connections of the operators is called an "algorithm." Selecting an algorithm is a good starting point for creating sound. The opsix SE sound generator includes six operators, and 40 preset algorithms are provided.

You can use the user algorithm function to create new combinations as well.

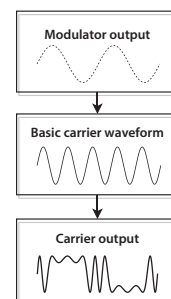
- Operator modes**

Although the basis of the opsix SE is the FM sound generator, you can change the operator mode to perform different kinds of modulation besides FM. The combination of ring modulator, filter, wavefolder and effect makes it possible to create new kinds of sounds that surpass the range of typical FM sounds.

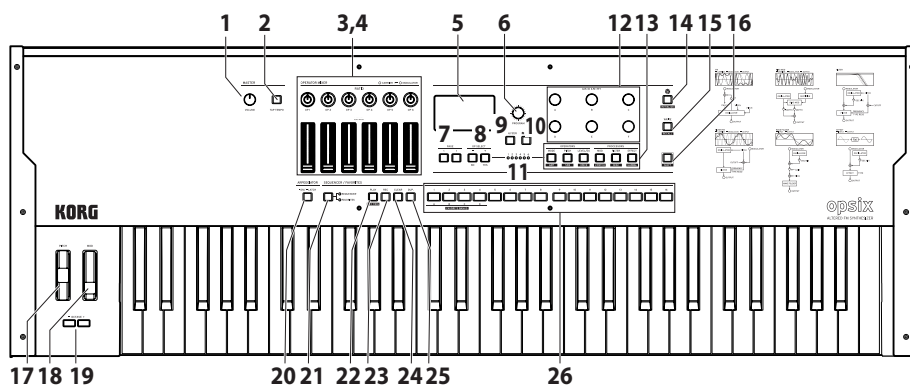
Algorithm example
(preset algorithm 1)



What happens when modulators modulate the carriers



Panel description and functions



1. VOLUME knob

This adjusts the volume of the AUDIO OUTPUT jacks (L/MONO, R) and headphone jack.

2. TAP TEMPO button

During playback, you can enter a tempo manually by lightly tapping this button a few times at the desired tempo (Tap Tempo).

3. RATIO OP 1–6 knobs

These knobs change the pitch of each Operator. Operate the knobs while holding down the SHIFT button to change the Operator modes.

4. LEVEL OP 1–6 sliders

These sliders change the output level of each Operator. Operate the sliders while holding down the SHIFT button to change the oscillator waveforms.

5. Display

This shows various information such as program data and parameter values.

6. PROGRAM knob

Selects the program.

7. PAGE < and > buttons

Use the < and > buttons to switch between edit pages. These are enabled when the page guide is shown in the display.

8. OP SELECT +/- buttons and YES/NO buttons

Use these buttons to select the Operator to edit. These are also used to select (YES) or cancel (NO) items in a list or when saving programs.

9. ANALYZER button

Switches the display to the spectrum analyzer and oscilloscope.

10. HOME (ALGO) button

Displays the HOME/ALGO page.

11. Operator select LEDs

The selected Operator will light up when the Operator edit page (MODE, PITCH, LEVEL) is displayed.

12. DATA ENTRY A–F knobs

These knobs change the parameter values shown in the display. Hold down the SHIFT button while turning a knob to make fine-tune changes to the value.

13. EDIT SELECT button

These buttons change the edit page shown on the display. Press while holding the SHIFT button down to display the page shown below the buttons.

14. Randomize button

This begins randomized editing. Hold down the SHIFT button while pressing this button to initialize the program.

15. WRITE button

Saves the settings for the edited program. Hold down SHIFT while pressing this button to revert the settings of the program you are editing to the saved state.

16. SHIFT button

This button lets you access extended functions for the knobs and buttons. Also, the current value of each parameter shown will be indicated on the display for a while after SHIFT is pressed. Double-click the SHIFT button to hold the SHIFT state. Press SHIFT again to cancel the hold.

17. PITCH wheel

Controls the pitch of the sound.

18. MODULATION wheel

This wheel is generally used to control the cutoff frequency or vibrato depth. You can also change which parameters are controlled by the wheel.

19. OCTAVE buttons

These shift the range of notes assigned to the keyboard up or down in one-octave steps over a range of ± 4 octaves.

20. ARPEGGIATOR button

Switches the arpeggiator on/off. Hold this down to turn the arpeggiator latch function on/off.

21. SEQUENCER/FAVORITES button

Selects the function that will be used by the STEP 1–16 buttons. When SEQUENCER is selected, the buttons will act as step buttons for the step sequencer. When FAVORITE is selected, you can assign the programs you like to the STEP 1–16 buttons and recall them instantly.

22. PLAY button

This starts and stops playback of the step sequencer. When switching to playback, the sequencer will always be reset to the first step. While holding down the SHIFT button, press the PLAY button to set key trigger mode. To set key trigger to latch, long-press the PLAY button while holding down the SHIFT button.

23. REC button

Enters step sequencer recording mode. When the sequencer is stopped, this will begin step recording; and when the sequencer is playing back, this will begin real-time recording.

24. CLEAR button

When the step sequencer is playing back, the sequence will be muted while this button is pressed. Pressing the button in real-time recording will delete the notes that play during that time. At any other time, you can hold down this button and press a step that you want to delete using the STEP 1–16 buttons.

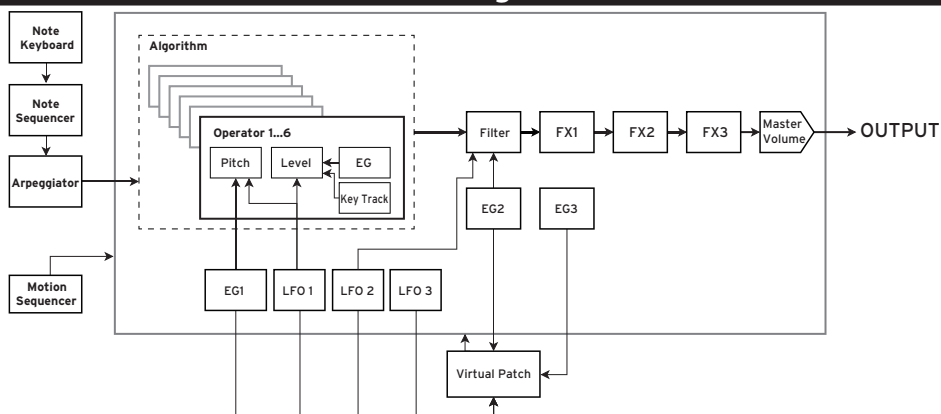
25. DUP. button

To copy a selected step to another step, hold down this button and press the copy source and destination steps using the STEP 1–16 buttons.

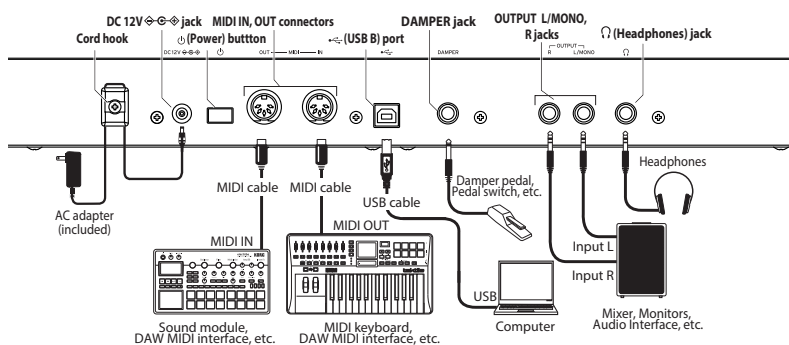
26. STEP 1–16 buttons

If you press the SEQUENCER/FAVORITES button while SEQUENCER is selected, you can turn steps on/off in the step sequencer, edit the sequence data or select the steps displayed. If FAVORITES is selected, you can use the STEP 1–16 buttons to recall the programs you registered.

Block Diagram



Rear panel connections



Connecting the AC adapter

1. Connect the DC plug of the included **AC adapter** to the **DC 12V jack** on the rear panel of the opsix SE.
 - ⚠ Be sure to use only the included AC adapter. Using any other AC adapter may cause malfunctions.
2. After connecting the DC plug, loop the AC adapter cord onto the **Cord Hook**.
 - ⚠ Do not use excessive force when pulling the cord off the hook. Doing so may damage the plug.
3. Connect the plug of the AC adapter to an AC outlet.
 - ⚠ Be sure to use an AC outlet of the correct voltage for your AC adapter.

Other connections

Connect the opsix SE as appropriate for your audio system.

- ⚠ Be sure that the power on all of your devices is turned off before you make connections. Leaving the power on when you make connections may cause malfunctions, or damage your speaker system and other components.
- ⚠ For the following terminals, use a cable of 3 m or less to prevent malfunction.
 - ◻ (Headphones) jack, DAMPER jack, USB-B port

OUTPUT L/MONO, R jacks: Connect these TRS jacks to a mixer, audio interface, monitor system, etc. Adjust the volume level using the VOLUME knob.

◻ (Headphones) jack: Connect the headphones here. This carries the same signal as that of OUTPUT L/MONO and R.

DAMPER jack: Connect a Korg DS-1H damper pedal or a PS-1/PS-3 pedal switch (sold separately) to control the damper function. Pedal polarity is detected automatically; to allow this, make sure that the pedal is not held down when connected, or while turning on power.

MIDI IN, OUT connectors: Use these connectors to connect the opsix SE to an external MIDI device for exchanging MIDI messages. Make sure that the MIDI channels are set appropriately.

USB B port: Connect this to a computer to exchange MIDI messages and data.

Turning the power on/off

Turning the opsix SE On

Make sure that both the opsix SE and any amplification devices such as powered monitor speakers are turned off, and turn the volume of all devices all the way down.

1. Hold down the rear-panel ⏻ (power) button. Once the “opsix” logo appears in the display, release the ⏻ (power) button.
2. Turn on any amplification devices such as powered monitor speakers, and then adjust their volume. Adjust the opsix SE’s volume using the VOLUME knob.

Turning the opsix SE Off

1. Lower the volume of your powered monitors or other amplification devices, and turn them off.
2. Hold down the opsix SE ⏻ (power) button until the display shows “Shutting down,” and then release the ⏻ (power) button.

Auto Power-Off

By default, the opsix SE will automatically turn off after about four hours have elapsed without use of the front panel, keyboard, or MIDI input. See the Owner’s Manual (PDF) for details on how to disable this function.

Playing the opsix SE

Playing a program

1. Turn the PROGRAM knob [6] to select a program.



2. Play the keyboard to check the sound.
3. To confirm that this is the program you want to select, press the YES button [8].
To cancel the selection and return to the previous program, press the NO button [8].
4. To change the tonal range of the keyboard, press the OCTAVE button [7]. This changes the tonal range of the keyboard in one-octave increments.
5. Use the PITCH wheel [17] to change the pitch. The MOD wheel [18] modifies whatever parameter is has been assigned to. It is often used to change the cutoff frequency or vibrato depth. You can also change which parameters are controlled by the MOD wheel [18].

Using the analyzer

You can show realtime analysis of the synthesizer's audio output on the display [5] by pressing the ANALYZER button [9]. This button switches between a spectrum analyzer, oscilloscope, and the previously displayed page.

Performing with the arpeggiator

1. Press the ARPEGGIATOR button [20]. "Arpeggiator Run=On" will appear in the display.
2. The pattern set in the program will be used when you play the keyboard.
3. Press the ARPEGGIATOR button [20] once more to turn off the arpeggiator. "Arpeggiator Run=Off" will appear on the display.
4. When you hold down the ARPEGGIATOR button [20], "Arpeggiator Run=Latch" will appear in the display and the latch function will be enabled.
The arpeggiator will keep playing, even if you take your hand off the keyboard.
Hold down the ARPEGGIATOR button [20] once more to disable the latch function.

Editing the programs

Editing with the operator mixer

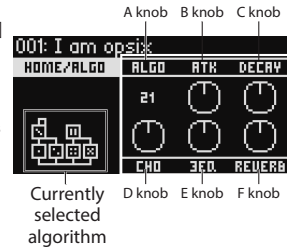
In the OPERATOR MIXER section, you can use the RATIO OP 1–6 knobs [3] to edit the pitch parameters for each operator, and the LEVEL OP 1–6 sliders [4] to edit the output levels.

1. Turn the PROGRAM knob [6] to select a program to edit.
2. Move the RATIO OP 1–6 knobs [3] and the LEVEL OP 1–6 sliders [4] of the OPERATOR MIXER.
The effect will change depending on whether the operator you are editing is a carrier (the RATIO knob LED will light up red) or a modulator (the RATIO knob LED will light up blue).
RATIO knob [3]: Changes the pitch of each operator. Mainly the pitch changes for carriers, and the brightness of the sound or the position of harmonics changes for the modulators. Raising the pitch of a modulator will emphasize the sparkling harmonics that are characteristic of FM tone generators.
LEVEL slider [4]: Change the output level of each operator. The volume changes for carriers, and the brightness of the sound or the strength of the harmonics changes for the modulators. When the carrier is in FM mode and the output level of the modulator is brought way up, you can get a heavily distorted sound that's something like a distorted guitar.

Easy program editing

You can edit the main parameters besides those of the operators in the HOME/ALGO page.

1. Press the ALGO button [10] to display the HOME/ALGO page.
2. Use the DATA ENTRY A–F knobs [12] to change the values for the parameters shown on the display.



- ALGO:** Select the algorithm that determines the structure for operators 1–6 from the presets and user algorithm.
- ATK:** Sets the attack time (how quickly the note starts) for all operators.
- DECAY:** Sets the decay/release time (how quickly the note fades out) for all operators.
- FX1–3:** Although the way this works depends on the effect type that is set, this mainly changes the depth of the effect.

Randomized editing

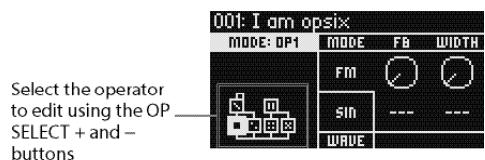
This sets the current program's parameters in the selected scope to random values. Use this to find new inspiration when you are creating sounds.

1. Press the button [14] to display the Randomize page.
2. Select the scope of parameters to randomize. Change the SCOPE parameter with the DATA ENTRY A knob. PROGRAM is selected by default, meaning all of the program parameters will be randomized.
3. Press the YES button [8] to show a confirmation message.
4. Press the YES button [8] again to randomize.

Detailed editing

You can make detailed edits as follows.

1. Press the desired PAGE SELECT button [13] between the MODE and EFFECT buttons to display the corresponding page. To display one of the secondary pages as shown below the buttons, hold the SHIFT button [16] down and select the desired page.
2. Sometimes the left side of the screen will indicate that multiple subpages are available. You can use the PAGE < and > buttons [7] to cycle through them.
3. You can edit the parameters for each operator on the MODE, PITCH and LEVEL pages. Use the OP SELECT + and – buttons [8] to select the operator to edit.



4. Use the DATA ENTRY A–F knobs [12] to change the parameters. Each page's editable parameters are shown below:
MODE: Change the operator mode and output waveforms for OP 1–6.
PITCH: Change the pitch of OP 1–6, as well as the pitch modulation from the LFO/EG.
LEVEL/EG: Set the output levels, EG and key tracking for OP 1–6.
MOD: Configure LFO 1–3 and EG 1–3.
FILTER: Set the overall filter used for OP 1–6.
EFFECT: Used for selecting effect types or making detailed edits to the effects.
ARP: Configure the arpeggiator.
SEQ: Used for setting how the sequencer operates, and for making detailed edits to the sequence data.
VOICE: Set whether a sound plays in mono, poly or unison mode.
V.PATCH: Specify the destination and depth of the effect produced by the LFO, EG and other modulation sources.
MISC: Used for changing other program parameters. You can copy operators on the OP UTIL page.
GLOBAL: Used for configuring the overall instrument. The settings you make in this mode are not saved to a program, but instead apply to all programs. Any changes you make will be saved automatically.

Tip: For details on each parameter and for more information on the effect parameters, see the Owner's Manual (PDF).

Saving a program

Save any programs to the opsix SE that you have edited. Any edits you make will be lost if you turn off the power of the opsix SE or select a different program before saving the data.

1. Press the WRITE button [15].
The opsix SE will enter program save standby mode, and the YES and NO buttons will blink.
2. Change the program name as necessary.
PROGRAM knob [5]: Changes the character at the cursor position.
SHIFT button [16]: Changes the type of character to input.
PAGE < and > buttons [7]: Moves the cursor. Hold down the SHIFT button while pressing the PAGE < button to delete the character at the cursor position. Hold down the SHIFT button while pressing the PAGE > button to insert a blank space at the cursor position.
DATA ENTRY A–F knob [12]: Turning this knob left or right is the same as pressing the PAGE < and > buttons in succession.
3. Press the YES button to confirm the program name.
4. Turn the PROGRAM knob to select the program location to which will save your edited sound.
Select a different program if you wish to keep the original program.
Tip: Press the NO button to cancel.
5. Press the YES button to save the program.
The program will be saved, and the message "Write Completed" will be shown in the display.
⚠ Never turn off the power while a program is being saved. Doing so may corrupt the internal data.

Using the step sequencer

The opsix SE has a polyphonic sequencer that features up to 16 steps. Sequence data for the step sequencer can be saved in each program. In addition to note data, you can also record and play back motion sequences (these are changes made to the sound using the knobs or sliders on the opsix SE).

Playback and recording on the step sequencer

Here we will play back the sequence data recorded for each program.

1. Press the PLAY button [22].
The sequence data recorded for the currently selected program will play.
2. Press the REC button when you want to record what you play on the keyboard.
The REC button [23] will light up, and all notes that you play afterwards will be recorded as sequence data. Press the REC button again to finish recording.
3. To stop sequence data playback, press the PLAY button again.
NOTE: Any data you record will be lost if you turn off the power on the opsix SE or select a different program before saving the data. → "Saving a program"

Step recording

1. Press the SEQ STEPS/FAVORITE MODE button [21] to select SEQ STEPS.



2. Select a program, and then press the REC button.
The STEP 1 button will blink.
3. Use the STEP 1–16 buttons [26] to select the steps to input.
The STEP buttons that you select will blink.
4. Press one or more keys on the keyboard at the same time to record one or more notes at the current step.
Press one of the STEP 1–16 buttons while holding down a key to record a tie. The tie will connect the note to the step you pressed.
5. When the set number of steps have finished recording, step recording will automatically end (the REC button will go dark).
Press the REC button during recording to stop recording midway.

6. After you have finished recording, save the program.
If you select another program before saving your edited program, the sequence data in the newly selected program will be recalled, and the sequence data you recorded will be lost.

⚠ Saving a program will overwrite the sequence data at that program location.

Other functions

Restoring the opsix SE to factory-set default settings

To restore the opsix SE to its factory default state, turn on the power while holding down the SHIFT and WRITE/RECALL buttons. See the Owner's Manual (PDF) for details.

⚠ Never turn off the power while data is being loaded. Doing so may corrupt the internal data.

Specifications

Keyboard: 61 keys, Natural Touch keyboard (velocity and release-velocity sensitive, with aftertouch)

Maximum Polyphony: 80 voices (the maximum number of voices depends on the settings)

Sound generating system: Altered FM sound generator

Number of programs: 500

Inputs/outputs: Headphone (6.3 mm stereo phone jack), OUTPUT L/MONO and R (impedance-balanced 6.3 mm TRS phone jacks), DAMPER (6.3 mm phone jack, half-damper not supported), MIDI IN and OUT connectors, USB B port

Power supply: AC adapter (DC12V, ⏻)

Power consumption: 5 W

Dimensions (W × D × H): 1014 × 344 × 108 mm/39.92" × 13.54" × 4.25"

Weight: 8.6 kg/18.96 lbs.

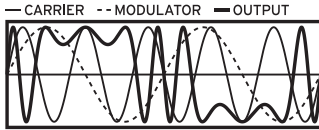
Included items: AC adapter, Quick Start Guide

Accessories (sold separately): DS-1H damper pedal, PS-1 pedal switch, PS-3 pedal switch

* Specifications and appearance are subject to change without notice for improvement.

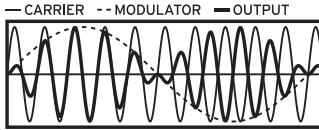
Operator modes

FM



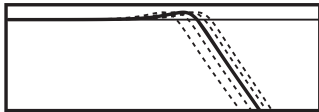
The pitch of an oscillator can be modulated up and down rapidly using the audio signal from the modulator to change the tonal character.

RING MOD



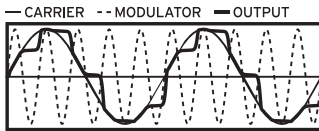
The input from the modulator is multiplied with the oscillator signal to make rapid changes to the oscillator's volume, which changes the tonal character.

FILTER



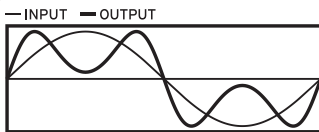
This is a filter with a key tracking function. The signals from the oscillator and modulator are input into the filter.

FILTER FM



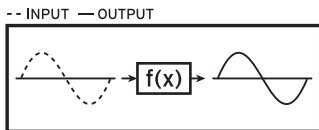
This creates an ultra high-speed wah effect. The cutoff frequency is modulated using the input from the modulator, and the oscillator signal is used as audio input for the filter.

WAVE FOLDER



The wave folder circuit generates harmonics by folding the waveform back after it crosses a fixed threshold. This mode will mix the modulator and carrier signals together.

EFFECT



In this mode, the operator functions as an effect like delay, comb filter or distortion. The signal from the oscillator and the input signal from the modulator are inputted into the effect.

opsix SE

ALTERED FM SYNTHESIZER

Guide de prise en main

Sommaire

Précautions	9
Introduction	10
A propos des manuels opsix SE	10
Principales fonctions	10
À propos du générateur de son du opsix SE.....	10
Présentation et fonctions des panneaux	11
Schéma de principe	12
Connexions en face arrière	12
Connexion de l'adaptateur secteur	12
Autres connexions	12
Mise sous/hors tension	12
Mise sous tension du opsix SE	12
Mise hors tension du opsix SE	12
Mise hors tension automatique.....	12
Jeu sur le opsix SE	13
Jeu d'un programme	13
Utilisation de l'analyseur.....	13
Jeu avec l'arpégiateur	13
Édition des programmes	13
Édition avec le mélangeur d'opérateurs.....	13
Facilité d'édition des programmes.....	13
Édition aléatoire	13
Édition précise	13
Sauvegarde d'un programme.....	14
Utilisation du séquenceur pas à pas	14
Lecture et enregistrement avec le séquenceur pas à pas	14
Enregistrement pas à pas.....	14
Autres fonctions	14
Initialisation des réglages d'usine du opsix SE.....	14
Fiche technique	14
Modes d'opérateurs	15

Précautions

Emplacement

L'utilisation de cet instrument dans les endroits suivants peut entraîner le mauvais fonctionnement.

- En plein soleil
- Endroits très chauds ou très humides
- Endroits sales ou fort poussiéreux
- Endroits soumis à de fortes vibrations
- A proximité de champs magnétiques

Alimentation

Branchez l'adaptateur secteur mentionné à une prise secteur de tension appropriée. Évitez de brancher l'adaptateur à une prise de courant dont la tension ne correspond pas à celle pour laquelle l'appareil est conçu.

Interférences avec d'autres appareils électriques

Les postes de radio et de télévision situés à proximité peuvent par conséquent souffrir d'interférences à la réception. Veuillez dès lors faire fonctionner cet appareil à une distance raisonnable de postes de radio et de télévision.

Maniement

Pour éviter de l'endommager, manipulez les commandes et les boutons de cet instrument avec soin.

Entretien

Lorsque l'instrument se salit, nettoyez-le avec un chiffon propre et sec. Ne vous servez pas d'agents de nettoyage liquides tels que du benzène ou du diluant, voire des produits inflammables.

Conservez ce manuel

Après avoir lu ce manuel, veuillez le conserver soigneusement pour toute référence ultérieure.

Évitez toute intrusion d'objets ou de liquide

Ne placez jamais de récipient contenant du liquide près de l'instrument. Si le liquide se renverse ou coule, il risque de provoquer des dommages, un court-circuit ou une électrocution.

Veuillez à ne pas laisser tomber des objets métalliques dans le boîtier (trombones, par ex.). Si cela se produit, débranchez l'alimentation de la prise de courant et contactez votre revendeur korg le plus proche ou la surface où vous avez acheté l'instrument.

Note concernant les dispositions (Seulement EU)



Quand un symbole avec une poubelle barrée d'une croix apparaît sur le produit, le mode d'emploi, les piles ou le pack de piles, cela signifie que ce produit, manuel ou piles doit être déposé chez un représentant compétent, et non pas dans une poubelle ou toute autre déchetterie conventionnelle. Disposer de cette manière, de prévenir les dommages pour la santé humaine et les dommages potentiels pour l'environnement. La bonne méthode d'élimination dépendra des lois et règlements applicables dans votre localité, s'il vous plaît, contactez votre organisme administratif pour plus de détails. Si la pile contient des métaux lourds au-delà du seuil réglementé, un symbole chimique est affiché en dessous du symbole de la poubelle barrée d'une croix sur la pile ou le pack de piles.



Gestion des données

Une procédure incorrecte ou un mauvais fonctionnement peut entraîner la perte du contenu de la mémoire, aussi nous vous recommandons de sauvegarder vos données importantes sur support de stockage USB ou un autre type de support. Korg décline toute responsabilité pour tout dommage résultant de la perte de données.

AVERTISSEMENT DE COPYRIGHT

Cet appareil professionnel est destiné à l'enregistrement de morceaux dont vous êtes l'ayant droit ou pour lesquels vous avez obtenu la permission de l'ayant droit. Sachez qu'une telle permission est requise pour tout morceau que vous comptez utiliser en public, à la radio, à des fins commerciales ou toute autre activité à but lucratif. L'utilisation de morceaux dont vous ne détenez pas les droits d'auteur et pour lesquels vous n'avez reçu aucune permission de l'ayant droit vous expose à des poursuites judiciaires. Si vous n'êtes pas sûr de vos droits sur une œuvre, veuillez consulter un avocat spécialisé.

KORG DECLINE TOUTE RESPONSABILITE POUR QUELQUE INFRACTION QUE CE SOIT, MEME SI ELLE A ETE COMMISE AVEC UN PRODUIT KORG.

Les données contenues dans ou accompagnant ce produit ne peuvent pas être extraites, enregistrées ni sauvegardées sous quelque forme similaire à leur état original, ni distribuées ou rendues accessibles au public sur internet. Le contenu de ce produit (comme par exemple les programmes sonores, données de style, motifs d'accompagnement, données MIDI, données d'échantillon PCM, données audio, système d'exploitation, etc.) sont la propriété intellectuelle de KORG Inc. ou du matériel soumis au droit d'auteur et utilisé par KORG Inc. sous licence de tiers. L'utilisation du contenu mentionné ci-dessus afin de produire ou de jouer des œuvres musicales, ou d'enregistrer et de distribuer de telles œuvres, ne nécessite pas l'autorisation de KORG Inc.

* Tous les noms de produits et de sociétés sont des marques commerciales ou déposées de leur détenteur respectif.

Introduction

Merci d'avoir choisi le synthétiseur FM modifié opsix SE de Korg. Afin de pouvoir exploiter au mieux toutes les possibilités offertes par l'instrument, veuillez lire attentivement ce manuel.

A propos des manuels opsix SE

La documentation pour ce produit comprend ce qui suit:

- Guide de prise en main (ce que vous lisez)
- Mode d'emploi (fichier PDF téléchargé du site web Korg: www.korg.com)

Principales fonctions

- Le synthétiseur opsix SE est doté d'un générateur de son FM produisant des harmoniques complexes via une modulation rapide des formes d'onde élémentaires de ses oscillateurs au moyen d'autres oscillateurs.
- Outre la synthèse FM, le opsix SE offre aussi plusieurs modes d'opérateurs tels qu'un modulateur en anneau, un plieur d'onde, un effet, etc. Les six opérateurs peuvent être combinés pour produire un large éventail de sons.
- Le mélangeur d'opérateurs (doté de curseurs et de commandes) permet de contrôler directement les paramètres de chaque opérateur. Cet outil utile permet d'éditer de manière intuitive et d'opérer des changements dynamiques de sons tout en jouant.
- Le opsix SE inclut une vaste collection de filtres, notamment les modèles Polysix et MS-20, soit les outils requis pour produire des sons tels que ceux générés via la synthèse soustractive.
- Trois multi-effets haute définition permettent de choisir chacun parmi 30 types d'effets.
- 500 programmes peuvent être rappelés et sauvegardés instantanément.
- Intègre un puissant séquenceur polyphonique à 16 pas.
- Le opsix SE est équipé d'un analyseur de spectre et d'un oscilloscope qui permettent de visualiser le son.
- Le opsix SE SE est doté d'un clavier de 61 touches avec aftertouch. La fonction aftertouch est un effet appliqué quand vous exercez une pression sur une touche après son enfoncement. Plus la pression est forte, plus l'effet est marqué. L'aftertouch est généralement utilisé pour contrôler le volume, le timbre (fréquence de coupure) et la sensibilité du LFO.

À propos du générateur de son du opsix SE

Les principes de la synthèse FM ont été découverts et établis par John Chowning, professeur à la Stanford University dans les années 1970, au cours d'expériences sur le vibrato. La génération de son FM est plus tard intégrée à une puce LSI et exploitée par Yamaha Corporation. Dès le début des années 1980, la synthèse FM est le moteur sonore interne de la série de synthétiseurs DX de Yamaha, des ordinateurs de toutes marques, des jeux électroniques et des téléphones portables.

• Opérateur (modulateur, porteur)

La génération de son FM ('Frequency Modulation' ou modulation de fréquence) repose sur des éléments de synthèse appelés "opérateurs". Les opérateurs sont modulés au moyen de simples formes d'onde d'entrée telles que des sinusoïdes et produisent des sons aux harmoniques complexes. Les opérateurs peuvent faire office de modulateur ou de porteur. Le signal produit par un modulateur alimente un autre opérateur et est utilisé pour la modulation. Les porteurs reçoivent le signal de sortie de modulateurs et produisent un résultat modulé sous forme de son.

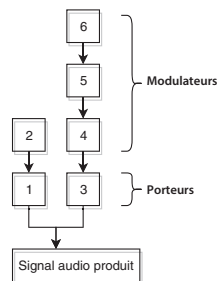
• Algorithmes

Dans le générateur de son FM, la combinaison des rôles et des connexions d'un opérateur est ce qu'on appelle un "algorithme". Le choix d'un algorithme est fondamental pour la création d'un son. Le générateur de son du opsix SE intègre six opérateurs et une sélection de 40 algorithmes préprogrammés. Vous pouvez en outre mettre la fonction d'algorithme utilisateur à profit pour créer de nouvelles combinaisons.

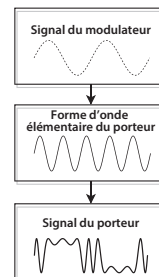
• Modes d'opérateur

Bien que le générateur de son FM soit le fondement du opsix SE, vous pouvez changer de mode d'opérateur pour produire des types de modulations autres que FM. La combinaison du modulateur en anneau, du filtre, du plieur d'onde ('wavefolder') et de l'effet permet de générer de nouveaux types de sons se démarquant de l'éventail de sons FM typiques.

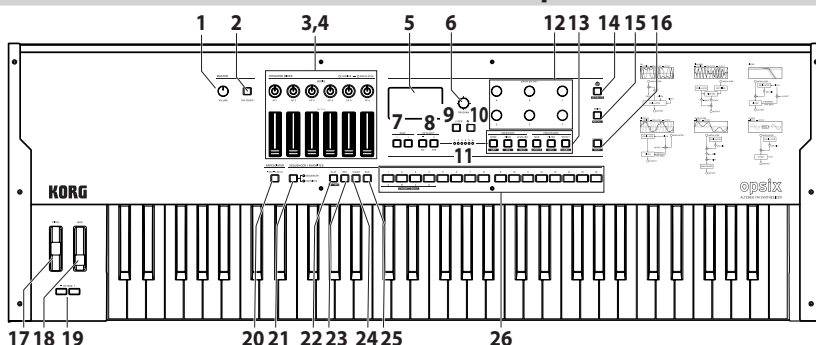
Exemple d'algorithme
(algorithme d'usine 1)



Effet de la modulation des modulateurs sur les porteurs



Présentation et fonctions des panneaux



1. Commande VOLUME

Règle le niveau du signal transmis aux prises AUDIO OUTPUT (L/MONO, R) et à la prise casque.

2. Bouton TAP TEMPO

Pendant la lecture, vous pouvez régler manuellement le tempo en appliquant plusieurs 'tapes' légères et successives à ce bouton au tempo voulu (fonction 'Tap Tempo').

3. Commandes RATIO OP 1-6

Ces commandes changent la hauteur de chaque opérateur. Manipulez ces commandes en maintenant le bouton SHIFT enfoncé pour changer de mode d'opérateurs.

4. Curseurs LEVEL OP 1-6

Ces curseurs règlent le niveau de sortie de chaque opérateur. Manipulez ces curseurs en maintenant le bouton SHIFT enfoncé pour changer les formes d'onde des oscillateurs.

5. Écran

Il affiche diverses informations telles que les données du programme et les valeurs des paramètres.

6. Commande PROGRAM

Sélectionne le programme.

7. Boutons PAGE < et >

Naviguez dans les pages d'édition avec les boutons < et >. Ces boutons sont actifs quand le guide de page est affiché à l'écran.

8. Boutons OP SELECT +/- et boutons YES/NO

Utilisez ces boutons pour sélectionner l'oscillateur à éditer. Ils servent aussi à sélectionner (YES) ou annuler la sélection (NO) des éléments d'une liste, ou lors de la sauvegarde des programmes.

9. Bouton ANALYZER

Affiche l'analyseur de spectre et l'oscilloscope à l'écran.

10. Bouton ALGO (ALGO)

Affiche la page HOME/ALGO.

11. Diodes de sélection d'opérateur

L'opérateur sélectionné s'allume quand la page d'édition d'opérateur (MODE, PITCH, LEVEL) est affichée.

12. Commandes DATA ENTRY A-F

Ces commandes changent la valeur des paramètres affichés à l'écran. Maintenez enfoncé le bouton SHIFT en tournant une commande pour effectuer un réglage plus précis de la valeur.

13. Bouton EDIT SELECT

Ces boutons changent la page d'édition affichée à l'écran. Appuyez sur ces boutons en maintenant enfoncé le bouton SHIFT pour afficher la page indiquée en dessous des boutons.

14. Bouton (randomisation)

Ce bouton active l'édition aléatoire. Maintenez enfoncé le bouton SHIFT en appuyant sur ce bouton pour initialiser le programme.

15. Bouton WRITE

Sauvegarde les paramètres du programme édité. Maintenez enfoncé le bouton SHIFT en appuyant sur ce bouton pour restaurer les paramètres sauvegardés du programme en cours d'édition.

16. Bouton SHIFT

Ce bouton offre l'accès à des fonctions supplémentaires des commandes et boutons. En outre, la valeur courante de chaque paramètre à l'écran s'affiche brièvement quand vous enfoncez SHIFT. Appuyez deux fois sur le bouton SHIFT pour maintenir active la fonction SHIFT. Appuyez à nouveau sur SHIFT pour annuler le maintien.

17. Molette PITCH

Contrôle la hauteur du son.

18. Molette MODULATION

Cette molette est typiquement utilisée pour contrôler la fréquence de coupure ou l'intensité du vibrato. Vous pouvez aussi déterminer vous-même les paramètres contrôlés avec la molette.

19. Boutons OCTAVE

Ces boutons transposent la plage de hauteur assignée au clavier par pas d'une octave sur une plage de +/-4 octaves.

20. Bouton ARPEGGIATOR

Active/désactive l'arpégiateur. Maintenez ce bouton enfoncé pour activer/désactiver la fonction de verrouillage (Latch) de l'arpégiateur.

21. Bouton SEQUENCER/FAVORITES

Permet de sélectionner la fonction assignée aux boutons STEP 1-16. Quand SEQUENCER est sélectionné, les boutons font office de boutons de pas pour le séquenceur pas à pas. Quand FAVORITE est sélectionné, vous pouvez assigner les programmes qui vous plaisent aux boutons STEP 1-16 et les rappeler instantanément.

22. Bouton PLAY

Ce bouton lance et arrête la lecture du séquenceur pas à pas. Quand vous activez la lecture, le séquenceur est toujours initialisé et retourne au premier pas. Tout en maintenant enfoncé le bouton SHIFT, appuyez sur le bouton PLAY pour activer le mode de déclenchement via le clavier ('Key Trigger'). Pour activer la fonction 'Latch' du mode de déclenchement via le clavier, appliquez une longue pression sur le bouton PLAY tout en enfonçant le bouton SHIFT.

23. Bouton REC

Active le mode d'enregistrement du séquenceur pas à pas. Si le séquenceur est à l'arrêt, ce bouton active l'enregistrement pas à pas ; si le séquenceur est en cours de lecture, il lance l'enregistrement en temps réel.

24. Bouton CLEAR

Quand le séquenceur pas à pas est en cours de lecture et que vous enfoncez ce bouton, la séquence est étouffée. Pendant un enregistrement en temps réel, une pression sur ce bouton efface les notes jouées à ce moment. À tout autre moment, vous pouvez maintenir ce bouton enfoncé et choisir le pas à effacer avec les boutons STEP 1-16.

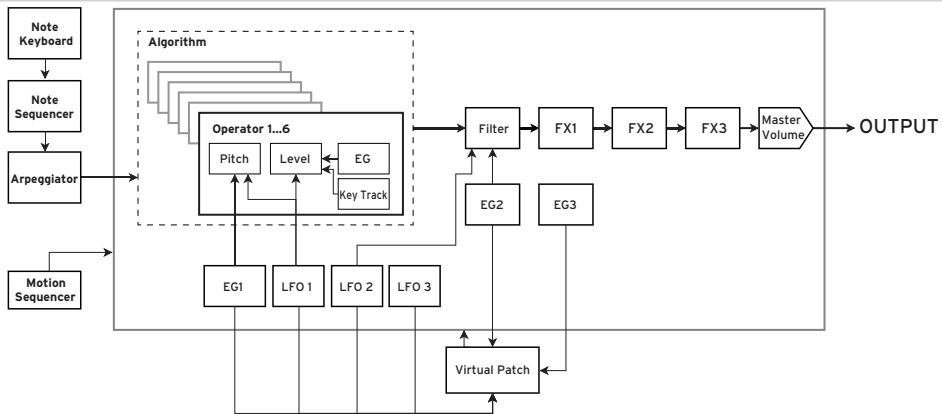
25. Bouton DUP.

Pour copier un pas sélectionné dans un autre pas, maintenez ce bouton enfoncé et sélectionnez le pas de source et le pas de destination pour la copie avec les boutons STEP 1-16.

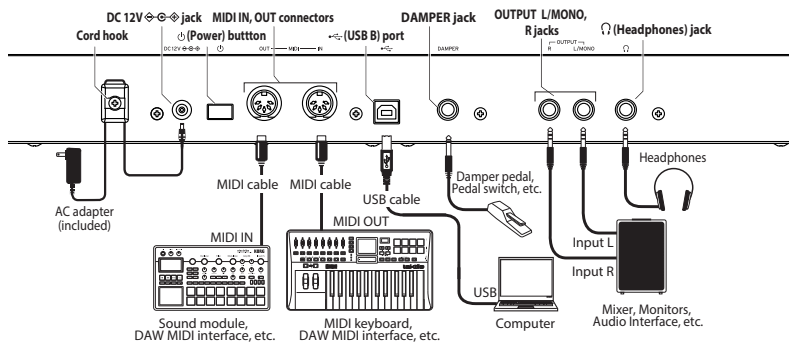
26. Boutons STEP 1-16

Si vous enfoncez le bouton SEQUENCER/FAVORITES quand SEQUENCER est sélectionné, vous pouvez activer/désactiver les pas du séquenceur pas à pas, éditer la séquence ou choisir les pas affichés. Quand FAVORITES est sélectionné, les boutons STEP 1-16 permettent de rappeler les programmes favoris que vous avez mémorisés.

Schéma de principe



Connexions en face arrière



Connexion de l'adaptateur secteur

1. Branchez la fiche CC de l'adaptateur secteur fourni à la prise DC 12V en face arrière du opsix SE.
 - ⚠ Utilisez exclusivement l'adaptateur secteur fourni. L'utilisation de tout autre adaptateur peut provoquer des dysfonctionnements.
2. Après avoir branché la fiche CC, faites une boucle avec le câble de l'adaptateur secteur autour du crochets.
 - ⚠ N'utilisez pas de force excessive lorsque vous décrochez le câble du crochets. Cela risque d'endommager la fiche.
3. Branchez la fiche de l'adaptateur à une prise secteur.
 - ⚠ Choisissez une prise secteur de tension appropriée pour l'adaptateur.

Autres connexions

Branchez le opsix SE à votre installation audio.

- ⚠ Veillez à couper l'alimentation de tous les dispositifs concernés avant d'effectuer les connexions. Si l'alimentation n'est pas coupée lorsque vous effectuez des connexions, cela risque d'endommager les haut-parleurs et d'autres composants.
- ⚠ Pour les bornes suivantes, utilisez un câble de 3 m maximum afin d'éviter les dysfonctionnements.
 - Prise (casque), prise DAMPER, port USB-B

Prises OUTPUT L/MONO, R: Reliez ces prises TRS à une console de mixage, une interface audio, un système d'écoute etc. Réglez le volume avec la commande VOLUME.

Prise (casque): Vous pouvez y brancher un casque. Le signal présent est identique à celui des prises OUTPUT L/MONO et R.

Prise DAMPER: Branchez une pédale forte Korg DS-1H ou une pédale commutateur PS-1/PS-3 (vendue séparément) pour piloter la fonction "Damper". La polarité de la pédale est détectée automatiquement. Pour cela, veillez à ce que la pédale ne soit pas enfoncée lors de la connexion ou de la mise sous tension.

Prises MIDI IN, OUT: Utilisez ces prises pour brancher le opsix SE à un dispositif MIDI externe afin d'échanger des messages MIDI. Vérifiez que les canaux MIDI sont bien réglés.

Prise USB B: Branchez-la à un ordinateur pour échanger des messages MIDI et des données.

Mise sous/hors tension

Mise sous tension du opsix SE

Vérifiez que le opsix SE et tout dispositif externe d'amplification tel que des enceintes actives sont hors tension et réglez le volume de tous les appareils sur le minimum.

1. Maintenez le bouton d'alimentation (⏻) situé en face arrière enfoncé. Quand le logo "opsix SE" apparaît à l'écran, relâchez le bouton d'alimentation (⏻).
2. Mettez ensuite les dispositifs d'amplification tels que des enceintes actives sous tension et réglez leur volume. Réglez le volume du opsix SE avec la commande VOLUME.

Mise hors tension du opsix SE

1. Réglez le volume des enceintes actives ou de tout autre dispositif d'amplification au minimum puis coupez-en l'alimentation.
2. Maintenez le bouton d'alimentation (⏻) du opsix SE enfoncé jusqu'à ce que l'écran affiche "Shutting down" et relâchez le bouton.

Mise hors tension automatique

Par défaut, le opsix SE s'éteint automatiquement après quatre heures d'inactivité en façade, sur le clavier et à l'entrée MIDI. Pour savoir comment désactiver cette fonction, voyez le manuel d'utilisation (PDF).

Jeu sur le opsix SE

Jeu d'un programme

1. Sélectionnez un programme avec la commande PROGRAM [6].



2. Jouez sur le clavier et testez le son du programme.
3. Pour sélectionner effectivement le programme, appuyez sur le bouton YES [8].
Pour annuler la sélection et retrouver le programme précédent, appuyez sur le bouton NO [8].
4. Pour modifier la plage de hauteur du clavier, appuyez sur le bouton OCTAVE [7]. Cela permet de changer la tessiture (plage de hauteur) du clavier par pas d'une octave.
5. Changez la hauteur avec la molette PITCH [17]. La molette MODULATION [18] modifie tout paramètre qui lui a été assigné. Elle est typiquement utilisée pour varier la fréquence de coupure ou l'intensité du vibrato. Vous pouvez aussi déterminer vous-même les paramètres contrôlés avec la molette MODULATION [18].

Utilisation de l'analyseur

Vous pouvez afficher une analyse en temps réel du signal audio du synthétiseur sur l'écran [5] en appuyant sur le bouton ANALYZER [9]. Ce bouton permet d'alterner entre l'analyseur de spectre, l'oscilloscope et la page d'écran affichée précédemment.

Jeu avec l'arpégiateur

1. Appuyez sur le bouton ARPEGGIATOR [20]. "Arpeggiator Run=On" s'affiche sur l'écran.
2. Le motif d'arpège défini dans le programme est produit quand vous jouez sur le clavier.
3. Appuyez à nouveau sur le bouton ARPEGGIATOR [20] pour désactiver l'arpégiateur. "Arpeggiator Run=Off" s'affiche sur l'écran.
4. Quand vous maintenez enfoncé le bouton ARPEGGIATOR [20], "Arpeggiator Run=Latch" s'affiche sur l'écran et la fonction de verrouillage ("Latch") est alors active.
Le jeu de l'arpégiateur continue même après le relâchement des touches du clavier.
Maintenez à nouveau le bouton ARPEGGIATOR [20] enfoncé pour désactiver la fonction Latch.

Édition des programmes


Édition avec le mélangeur d'opérateurs

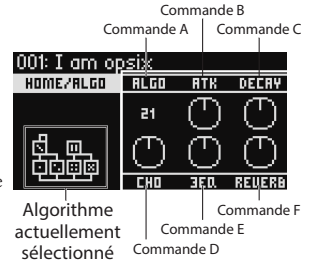
Dans la section OPERATOR MIXER, les commandes RATIO OP 1-6 [3] servent à éditer les paramètres de hauteur (RATIO) pour chaque opérateur, et les curseurs LEVEL OP 1-6 [4] à éditer les niveaux de sortie.

1. Sélectionnez un programme à éditer avec la commande PROGRAM [6].
2. Manipulez les commandes RATIO OP 1-6 [3] et les curseurs LEVEL OP 1-6 [4] de la section OPERATOR MIXER.
L'effet de vos manipulations varie selon que l'opérateur édité est un porteur (la diode de la commande RATIO s'allume en rouge) ou un modulateur (la diode de la commande RATIO s'allume en bleu).
Commande RATIO [3]: Change la hauteur de chaque opérateur. C'est surtout la hauteur qui varie pour les porteurs, tandis que dans le cas des modulateurs, c'est la brillance du son ou la position des harmoniques. En augmentant la hauteur d'un modulateur, vous accentuez les harmoniques scintillantes typiques des générateurs de son FM.
Curseur LEVEL [4]: Règle le niveau de sortie de chaque opérateur. Le volume varie pour les porteurs, tandis que dans le cas des modulateurs, c'est la brillance du son ou l'intensité des harmoniques. Quand le porteur est en mode FM et que le niveau de sortie du modulateur est généreusement relevé, cela permet d'obtenir un son fortement saturé qui rappelle le son d'une guitare saturée.

Facilité d'édition des programmes


Vous pouvez éditer les principaux paramètres en plus de ceux des opérateurs à la page HOME/ALGO.

1. Appuyez sur le bouton  ALGO [10] pour afficher la page HOME/ALGO.
2. Utilisez les commandes DATA ENTRY A-F [12] pour changer les valeurs des paramètres affichés sur l'écran.
ALGO: Sélectionne l'algorithme déterminant la structure des opérateurs 1-6 parmi les algorithmes préprogrammés ou utilisateur.
ATK: Règle le temps d'attaque (la vitesse à laquelle la note démarre) pour tous les opérateurs.
DECAY: Règle le temps de chute/d'extinction (la vitesse à laquelle le son de la note disparaît) pour tous les opérateurs.
FX1-3: Bien que l'action de ces commandes varie selon le type d'effet choisi, elles changent surtout l'intensité de l'effet.



Édition aléatoire

Cette fonction assigne des valeurs aléatoires à une série de paramètres donnés du programme actuel. Utilisez cette fonction comme une source d'inspiration neuve lors de la création de sons.

1. Appuyez sur le bouton  [14] pour afficher la page Randomize.
2. Sélectionnez la série de paramètres à laquelle l'édition aléatoire est appliquée. Changez le paramètre SCOPE avec la commande DATA ENTRY A. PROGRAM est sélectionné par défaut, indiquant que tous les programmes subissent une édition aléatoire.
3. Appuyez sur le bouton YES [8] pour afficher un message de confirmation.
4. Appuyez à nouveau sur le bouton YES [8] pour produire une édition aléatoire.

Édition précise

Vous pouvez effectuer des changements précis comme suit.

1. Appuyez sur le bouton PAGE SELECT voulu [13] entre les boutons MODE et EFFECT pour afficher la page correspondante. Pour afficher une des pages secondaires comme indiqué en dessous des boutons, maintenez enfoncé le bouton SHIFT [16] et sélectionnez la page voulue.
2. Le côté gauche de l'écran indique parfois que plusieurs sous-pages sont disponibles. Utilisez les boutons PAGE < et > [7] pour passer les pages en revue.
3. Vous pouvez modifier les paramètres de chaque opérateur aux pages MODE, PITCH et LEVEL. Sélectionnez l'opérateur à éditer avec les boutons OP SELECT + et - [8].

Sélectionnez l'opérateur à éditer avec les boutons OP SELECT + et -



4. Modifiez les paramètres avec les commandes DATA ENTRY A-F [12]. Les paramètres éditables de chaque page sont affichés ci-dessous:
MODE: Change le mode d'opérateur et les formes d'onde de sortie pour les opérateurs OP 1-6.
PITCH: Change la hauteur des opérateurs OP 1-6, ainsi que la modulation de hauteur de l'oscillateur basse fréquence/de l'enveloppe.
LEVEL/EG: Règle les niveaux de sortie, l'enveloppe et la fonction de pondération du clavier pour les opérateurs OP 1-6.
MOD: Configure les oscillateurs basse fréquence LFO 1-3 et l'enveloppe EG 1-3.
FILTER: Règle le filtre global utilisé pour les opérateurs OP 1-6.
EFFECT: Permet de sélectionner des types d'effets ou d'effectuer une édition détaillée des effets.
ARP: Configure l'arpégiateur.
SEQ: Sert à déterminer le fonctionnement du séquenceur et à éditer en profondeur les données de la séquence.
VOICE: Détermine si le son est joué en mode mono, poly ou unisson.
V.PATCH: Détermine la destination et l'intensité de l'effet produit par le LFO, l'enveloppe et d'autres sources de modulation.
MISC: Permet de modifier d'autres paramètres de programmes. Vous

pouvez copier les opérateurs à la page OP UTIL.

GLOBAL: Sert à configurer le fonctionnement général de l'instrument. Les réglages effectués dans ce mode ne sont pas mémorisés dans un programme, mais s'appliquent à tous les programmes. Tout changement que vous effectuez est automatiquement sauvegardé.

Astuce: Pour des détails sur chaque paramètre et plus d'informations sur les paramètres d'effet, voyez le manuel d'utilisation (PDF).

Sauvegarde d'un programme

Sauvegarde dans la mémoire du opsis SE tout programme que vous avez édité. Tous les changements que vous effectuez sont perdus si vous mettez le opsis SE hors tension ou choisissez un autre programme sans sauvegarder au préalable les données.

1. Appuyez sur le bouton WRITE [15].
Le opsis SE active son mode prêt à sauvegarder et ses boutons YES et NO se mettent à clignoter.
2. Changez le nom du programme comme bon vous semble.
Commande PROGRAM [5]: Permet de changer le caractère à l'emplacement du curseur.
Bouton SHIFT [16]: Permet de changer le type de caractère à saisir.
Boutons PAGE < et > [7]: Déplacent le curseur. Maintenez le bouton SHIFT enfoncé tout en appuyant sur le bouton PAGE < pour effacer le caractère à l'emplacement du curseur. Maintenez le bouton SHIFT enfoncé tout en appuyant sur le bouton PAGE > pour insérer un espace à l'emplacement du curseur.
Commande DATA ENTRY A-F [12]: Tourner cette commande à gauche ou à droite revient à enfoncer plusieurs fois successivement les boutons PAGE < et >.
3. Appuyez sur le bouton YES pour confirmer le nom du programme.
4. Choisissez la mémoire de programme où sauvegarder de votre son perso (édité) avec la commande PROGRAM.
Sélectionnez un programme différent si vous souhaitez conserver le programme original.
Astuce: Appuyez sur le bouton NO pour annuler.
5. Appuyez sur le bouton YES pour sauvegarder le programme.
Le programme est sauvegardé et le message "Write Completed" s'affiche sur l'écran.
⚠ Ne mettez jamais l'instrument hors tension pendant la sauvegarde d'un programme. Cela risquerait de rendre les données internes inutilisables.

Utilisation du séquenceur pas à pas

Le opsis SE est doté d'un séquenceur polyphonique comprenant jusqu'à 16 pas. Les données de séquence du séquenceur pas à pas sont sauvegardées dans chaque programme. Outre les données de note, vous pouvez enregistrer et lire des séquences de manipulations (ce que nous appelons 'Motion Sequence', à savoir les changements sonores produits avec les commandes et curseurs du opsis SE).

Lecture et enregistrement avec le séquenceur pas à pas

Voyons comment lire les données de la séquence enregistrée sous chaque programme.

1. Appuyez sur le bouton PLAY [22].
Les données de séquence enregistrées sous le programme actuellement sélectionné sont reproduites.
2. Appuyez sur le bouton REC pour enregistrer votre jeu sur le clavier.
Le bouton REC [23] s'allume et toutes les notes que vous jouez à partir de cet instant sont enregistrées sous forme de données de séquence. Appuyez à nouveau sur le bouton REC pour terminer l'enregistrement.
3. Pour arrêter la lecture des données de la séquence, appuyez à nouveau sur le bouton PLAY.

REMARQUE: Toutes les données enregistrées sont perdues si vous mettez le opsis SE hors tension ou choisissez un autre programme sans sauvegarder au préalable les données. → "Sauvegarde d'un programme"

Enregistrement pas à pas

1. Appuyez sur le bouton SEQUENCER/FAVORITES MODE [21] pour sélectionner SEQUENCER.



2. Sélectionnez un programme puis appuyez sur le bouton REC.
Le bouton STEP 1 clignote alors.

3. Sélectionnez les pas à entrer avec les boutons STEP 1-16 [26].
Les boutons STEP enfoncés clignotent alors.
4. Enfoncez alors une ou plusieurs touches du clavier pour enregistrer une ou plusieurs notes sous le pas courant.
Appuyez sur un des boutons STEP 1-16 tout en maintenant une touche enfoncée pour enregistrer une liaison. La liaison relie la note au pas correspondant au bouton enfoncé.
5. Quand l'enregistrement du nombre défini de pas est terminé, l'enregistrement pas à pas est automatiquement désactivé (le bouton REC s'éteint).
Appuyez sur le bouton REC pendant l'enregistrement pour arrêter l'enregistrement.
6. Quand l'enregistrement est terminé, sauvegardez le programme.
Si vous sélectionnez un autre programme avant d'avoir sauvegardé le programme en cours d'édition, les données de séquence du programme fraîchement sélectionné sont rappelées et vous perdez alors les données de séquence enregistrées.
⚠ La sauvegarde d'un programme écrase les données de séquence contenues dans la mémoire du programme en question.

Autres fonctions

Initialisation des réglages d'usine du opsis SE

Pour rétablir les réglages d'usine du opsis SE, mettez l'instrument sous tension maintenant les boutons SHIFT et WRITE/RECALL enfoncés. Pour des détails, voyez le manuel d'utilisation (PDF).

⚠ Ne mettez jamais l'instrument hors tension pendant le chargement de données. Cela risquerait de rendre les données internes inutilisables.

Fiche technique

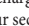
Clavier: 61 touches, toucher naturel (sensible à la dynamique de jeu et à celle du relâchement des touches, avec aftertouch)

Polyphonie maximum: 80 voix (Le nombre limite de voix varie en fonction des réglages)

Système de génération de son: Altered FM sound generator

Nombre de programmes: 500

Entrées et sorties: Casque (prise jack stéréo 6,3 mm), OUTPUT L/MONO et R (prises symétriques TRS 6,3 mm), DAMPER (prise jack 6,3 mm, pédale progressive pas prise en charge), Prises MIDI IN et OUT, Prise USB B

Alimentation: Adaptateur secteur (DC12V, )

Consommation électrique: 5 W

Dimensions (L x P x H): 1014 x 344 x 108 mm

Poids: 8,6 kg

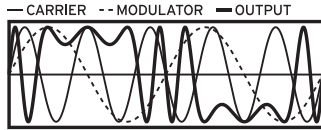
Accessoires fournis: Adaptateur secteur, Guide de prise en main

Accessoires (vendue séparément): Pédale forte (Damper) DS-1H, Pédale commutateur PS-1, Pédale commutateur PS-3

* Les caractéristiques et l'aspect du produit sont susceptibles d'être modifiés sans avis préalable.

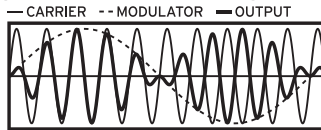
Modes d'opérateurs

FM



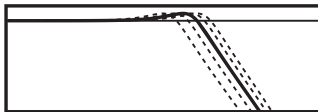
La hauteur d'un oscillateur peut être rapidement modulée vers le haut et vers le bas via le signal audio du modulateur pour changer le caractère du son.

RING MOD (modulateur en anneau)



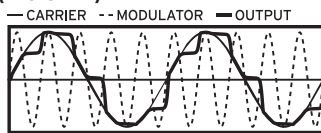
Le signal du modulateur est multiplié avec le signal de l'oscillateur pour produire des changements rapides au volume de l'oscillateur et ainsi changer le timbre.

FILTER (Filtre)



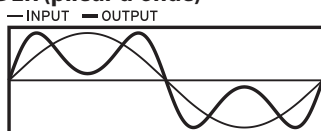
Il s'agit d'un filtre équipé d'une fonction de pondération du clavier ('key track'). Les signaux de l'oscillateur et du modulateur sont transmis au filtre.

FILTER FM (filtre FM)



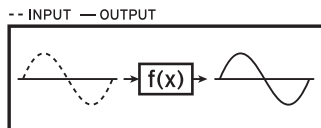
Cela génère un effet wah ultra-rapide. La fréquence de coupure est modulée via le signal reçu du modulateur et le signal de l'oscillateur sert de signal audio alimentant le filtre.

WAVE FOLDER (plier d'onde)



Le circuit de plieur d'onde produit des harmoniques en inversant la forme d'onde du signal de l'oscillateur à un seuil fixe.

EFFECT



Dans ce mode, l'opérateur fait office d'effet, comme par exemple delay, filtre en peigne ou distortion. Le signal de l'oscillateur et le signal d'entrée du modulateur sont transmis à l'effet.

opsix SE

ALTERED FM SYNTHESIZER

Blitzstart

Inhalt

Vorsichtsmaßnahmen	16
Vorweg	17
Über die opsix SE-Anleitungen.....	17
Die wichtigsten Funktionen.....	17
Über den Klangerzeuger des opsix SE.....	17
Bedienfeld: Beschreibung und Funktionen	18
Blockschaltbild	19
Anschlüsse auf Rückseite	19
Anschließen des Netzteils.....	19
Andere Anschlüsse.....	19
Ein-/Ausschalten	19
Einschalten des opsix SE.....	19
Ausschalten des opsix SE.....	19
Energiesparfunktion.....	19
Spielen auf dem opsix SE	20
Ein Programm abspielen.....	20
Verwendung des Analyzers.....	20
Mit dem Arpeggiator spielen.....	20
Die Programme bearbeiten	20
Bearbeiten mit dem Operator-Mixer.....	20
Einfache Programmbearbeitung.....	20
Randomisierte Bearbeitung.....	20
Detaillierte Bearbeitung.....	20
Speichern eines Programms.....	21
Verwenden des Schrittsequenzers	21
Wiedergabe und Aufnahme mit dem Schrittsequenzer.....	21
Schrittaufnahme.....	21
Weitere Funktionen	21
Rücksetzen des opsix SE auf die Werkseinstellungen.....	21
Technische Daten	21
Operator-Modi	22

Vorsichtsmaßnahmen

Aufstellungsort

Vermeiden Sie das Aufstellen des Geräts an Orten, an denen.

- es direkter Sonneneinstrahlung ausgesetzt ist;
- hohe Feuchtigkeit oder Extremtemperaturen auftreten können;
- Staub oder Schmutz in großen Mengen vorhanden sind;
- das Gerät Erschütterungen ausgesetzt sein kann.
- in der Nähe eines Magnetfeldes.

Stromversorgung

Schließen Sie das optionale Netzteil nur an eine geeignete Steckdose an.

Verbinden Sie es niemals mit einer Steckdose einer anderen Spannung.

Störeinflüsse auf andere Elektrogeräte

Dieser kann bei in der Nähe aufgestellten Rundfunkempfänger oder Fernsehgeräten Empfangsstörungen hervorrufen. Betreiben Sie solche Geräte nur in einem geeigneten Abstand von diesem Erzeugnis.

Bedienung

Vermeiden Sie bei der Bedienung von Schaltern und Reglern unangemessenen Kraftaufwand.

Reinigung

Bei auftretender Verschmutzung können Sie das Gehäuse mit einem trockenen, sauberen Tuch abwischen. Verwenden Sie keinerlei Flüssigreiniger wie beispielsweise Reinigungsbenzin, Verdüner oder Spülmittel. Verwenden Sie niemals brennbare Reiniger.

Bedienungsanleitung

Bewahren Sie diese Bedienungsanleitung gut auf, falls Sie sie später noch einmal benötigen.

Flüssigkeiten und Fremdkörper

Stellen Sie niemals Behältnisse mit Flüssigkeiten in der Nähe des Geräts auf.

Wenn Flüssigkeit in das Gerät gelangt, können Beschädigung des Geräts, Feuer oder ein elektrischer Schlag die Folge sein.

Beachten Sie, dass keinerlei Fremdkörper in das Gerät gelangen. Sollte ein Fremdkörper in das Gerät gelangt sein, so trennen Sie es sofort vom Netz.

Wenden Sie sich dann an Ihren Korg-Fachhändler.

Hinweis zur Entsorgung (Nur EU)



Wenn Sie das Symbol mit der „durchgekreuzten Mülltonne“ auf Ihrem Produkt, der dazugehörigen Bedienungsanleitung, der Batterie oder dem Batteriefach sehen, müssen Sie das Produkt in der vorgeschriebenen Art und Weise entsorgen. Dies bedeutet, dass dieses Produkt mit elektrischen und elektronischen Komponenten nicht mit dem normalen Hausmüll entsorgt werden darf. Für Produkte dieser Art existiert ein separates, gesetzlich festgelegtes Entsorgungssystem. Gebrauchte elektrische und elektronische Geräte müssen separat entsorgt werden, um ein umweltgerechtes Recycling sicherzustellen. Diese Produkte müssen bei benannten Sammelstellen abgegeben werden. Die Entsorgung ist für den Endverbraucher kostenfrei! Bitte erkundigen Sie sich bei ihrer zuständigen Behörde, wo Sie diese Produkte zur fachgerechten Entsorgung abgeben können. Falls ihr Produkt mit Batterien oder Akkumulatoren ausgerüstet ist, müssen Sie diese vor Abgabe des Produktes entfernen und separat entsorgen (siehe oben). Die Abgabe dieses Produktes bei einer zuständigen Stelle hilft Ihnen, dass das Produkt umweltgerecht entsorgt wird. Damit leisten Sie persönlich einen nicht unerheblichen Beitrag zum Schutz der Umwelt und der menschlichen Gesundheit vor möglichen negativen Effekten durch unsachgemäße Entsorgung von Müll. Batterien oder Akkus, die Schadstoffe enthalten, sind auch mit dem Symbol einer durchgekreuzten Mülltonne gekennzeichnet. In der Nähe zum Mülltonnensymbol befindet sich die chemische Bezeichnung des Schadstoffes.
Cd oder NiCd steht für Cadmium, Pb für Blei und Hg für Quecksilber.

Handhabung von Daten

Bei falschen oder unsachgemäßen Bedienungsvorgängen könnte der interne Speicherinhalt gelöscht werden. Daher raten wir, wichtige Daten auch immer auf einem USB-Datenträger o.ä. Datenträger zu archivieren. Korg haftet nicht für Schäden, die sich aus dem Verlust irgendwelcher Daten ergeben.

COPYRIGHT-HINWEIS

- Dieses professionelle Gerät ist ausschließlich für die Verund Bearbeitung von Werken gedacht, deren Urheberrecht bei Ihnen liegt bzw. wofür Sie eine Genehmigung beim Rechteinhaber eingeholt haben. Das gilt für die öffentliche Aufführung, Aufnahme, Ausstrahlungen, den Verkauf, die Duplizierung sowie alle Handlungen, die nicht als „gebilligte Verwendung“ gelten. Wenn Sie nicht der Urheber sind, keine Verwendungs-genehmigung haben und ein Werk trotzdem für kommerzielle Zwecke nutzen, machen Sie sich strafbar. Wenden Sie sich im Zweifelsfall an einen Fachanwalt für Urheberrecht.

KORG HAFTET NICHT FÜR URHEBERRECHTSVERLETZUNGEN, DIE AUF DER VERWENDUNG VON KORG-GERÄTEN BERUHEN.

- Die in diesem Produkt enthaltenen oder mitgelieferten Inhalte dürfen weder kopiert, noch aufgezeichnet oder in einer dem Originalzustand ähnlichen Form gespeichert und an Dritte weitergegeben bzw. im Internet öffentlich zugänglich gemacht werden. Die Inhalte dieses Produkts (wie Sound-Programme, Stil-Daten, Rhythmusbegleitungsmuster, MIDI-Daten, PCM-Sampledaten, Audiodaten, Betriebssystem usw.) sind urheberrechtlich geschütztes Eigentum von KORG Inc. oder urheberrechtlich geschütztes Material Dritter, für das KORG Inc. eine Lizenz erworben hat. Sie benötigen keine Erlaubnis von KORG Inc., mithilfe der oben genannten Inhalte Werke zu produzieren, aufzuführen, aufzunehmen oder zu vertreiben.

* Alle Firmen- und Produktnamen usw. sind Warenzeichen oder eingetragene Warenzeichen der betreffenden Eigentümer.

Vorweg

Vielen Dank, dass Sie sich für einen Korg opsix SE altered FM synthesizer entschieden haben. Bitte lesen Sie sich diese Anleitung vollständig durch, um bei der Bedienung alles richtig zu machen.

Über die opsix SE-Anleitungen

Die Dokumentation für dieses Produkt umfasst folgende Dinge:

- Blitzstart (dieses Dokument)
- Bedienungsanleitung (PDF, das von der Korg-Website heruntergeladen werden kann: www.korg.com)

Die wichtigsten Funktionen

- Der opsix SE verfügt über einen FM-Klangerzeuger, der durch rapide Modulation der grundlegenden Wellenformen seiner Oszillatoren mithilfe anderer Oszillatoren komplexe Obertöne erzeugt.
- Neben der FM-Synthese bietet der opsix SE auch verschiedene Operatoren-Modi wie einen Ringmodulator, ein Wellenfaltungsmodul (Wave Folder), diverse Effekte usw. Die sechs Operatoren können kombiniert werden, um eine große Vielfalt an Sounds zu erzeugen.
- Sie können den Operator-Mixer (mit Schieberegler und Reglern) verwenden, um die Parameter jedes der Operatoren direkt zu steuern. Dies ist nützlich für die intuitive Bearbeitung und das Vornehmen dynamischer Klangänderungen während des Spielens.
- Der opsix SE enthält eine umfangreiche Auswahl an Filtern, darunter Polysix- und MS-20-Modelle, die die Grundlagen für die Erzeugung von Klängen abdecken, wie sie durch subtraktive Synthese erzeugt werden.
- Es stehen drei hochauflösende Multi-Effekte zur Verfügung und für jeden von diesen können Sie aus 30 verschiedenen Typen auswählen.
- 500 Programme können sofort aufgerufen und gespeichert werden.
- Leistungsstarker 16-stufiger polyphoner Sequenzer.
- Der opsix SE verfügt über einen Spektrumanalysator und ein Oszilloskop, mit dem Sie Ihren Sound visualisieren können.
- Der opsix SE hat eine 61-Tasten-Tastatur mit Aftertouch. Mit Aftertouch wird der Effekt bezeichnet, der auf den Druck reagiert, den Sie beim Spielen auf eine Taste der Tastatur ausüben. Je fester Sie die Taste drücken, desto stärker der Effekt. Aftertouch dient üblicherweise zur Kontrolle der Lautstärke, des Klangs (Cutoff-Frequenz) und der Empfindlichkeit des LFO.

Über den Klangerzeuger des opsix SE

Die Prinzipien der FM-Klangerzeugung wurden in den 1970er Jahren von Dr. John Chowning an der Stanford University entdeckt und etabliert, als er mit Vibrato experimentierte. Die FM-Klangerzeugung wurde später in einen LSI-Chip verpackt und von Yamaha Corporation in die Praxis umgesetzt. Ab Anfang der 1980er Jahre wurde die FM-Tonerzeugung als interne Tonquelle für die Yamaha DX-Serie verwendet, sowie für Computer aller Hersteller, für Spielautomaten und Mobiltelefone.

• Operator (Modulator, Träger)

Der FM-Klangerzeuger (Frequency Modulation) basiert auf Syntheseelementen, die als „Operatoren“ bezeichnet werden. Operatoren werden mithilfe einfacher Eingangswellenformen wie Sinuswellen moduliert, und geben Klänge mit komplexen Obertöne aus. Operatoren können entweder als Modulatoren oder als Träger fungieren. Der von einem Modulator ausgegebene Ton wird in einen anderen Operator eingespeist und zur Modulation verwendet. Träger empfangen den Ausgangston von Modulatoren und geben das modulierte Ergebnis als Audio aus.

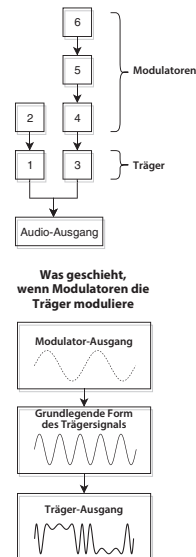
• Algorithmen

Im FM-Soundgenerator wird die Kombination der Rollen und Verbindungen eines Operators als „Algorithmus“ bezeichnet. Die Auswahl eines Algorithmus ist die Grundlage für die Erstellung eines Sounds. Der opsix SE-Soundgenerator enthält sechs Operatoren und stellt 40 voreingestellte Algorithmen zur Verfügung. Mit der Benutzeralgorithmusfunktion können Sie auch neue Kombinationen erstellen.

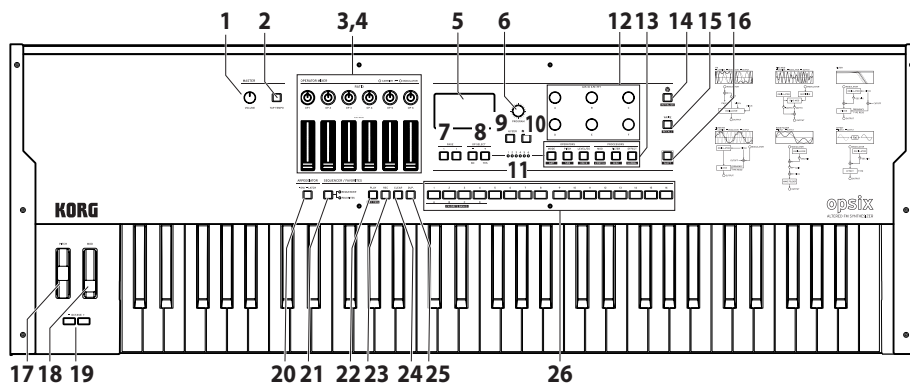
• Operatoren-Modi

Obwohl die Basis des opsix SE der FM-Soundgenerator ist, können Sie den Operatoren-Modus ändern, um neben FM auch andere Modulationsarten durchzuführen. Die Kombination aus Ringmodulator, Filter, Wellenfaltungsmodul und Effekten ermöglicht es, neue Arten von Sounds zu erstellen, die über das Spektrum typischer FM-Sounds hinausgehen.

Beispiel für einen Algorithmus (voreingestellter Algorithmus 1)



Bedienfeld: Beschreibung und Funktionen



1. VOLUME-Regler

Regelt die Lautstärke der AUDIO OUTPUT-Buchsen (L/MONO, R) und der Kopfhörerbuchse.

2. TAP TEMPO-Taste

Während der Wiedergabe können Sie manuell ein Tempo eingeben, indem Sie diese Taste einige Male im gewünschten Tempo (Tao-Tempo) antippen.

3. RATIO OP 1-6 Regler

Diese Regler ändern die Tonhöhe des jeweiligen Operators. Um die Operator-Modi zu ändern, bedienen Sie diese Regler bei gedrückter SHIFT-Taste.

4. LEVEL OP 1-6 Schieberegler

Diese Schieberegler ändern den Ausgangspegel des jeweiligen Operators. Um die Operator-Modi zu ändern, bedienen Sie diese Schieberegler bei gedrückter SHIFT-Taste.

5. Display

Zeigt diverse Informationen wie Programmdatei und Parameterwerte an.

6. PROGRAM-Regler

Zur Auswahl eines Programms.

7. PAGE-Tasten < und >

Mit den Tasten < und > schalten Sie zwischen Bearbeitungsseiten um. Diese sind aktiviert, wenn im Display die Seitenübersicht erscheint.

8. OP SELECT-Tasten +/- und YES/NO

Mit diesen Tastern wählen Sie den Oszillator den Sie bearbeiten möchten. Sie dienen auch zur Bestätigung (YES) oder zum Abbruch (NO) bei der Auswahl von Punkten einer Liste oder beim Speichern von Programmen.

9. ANALYZER-Taste

Schaltet das Display auf den Spektrumanalysator und das Oszilloskop um.

10. (ALGO)-Taste

Ruft die Seite HOME/ALGO auf.

11. Operator Select-LEDs

Bei aufrufener Seite zur Bearbeitung der Operatoren (MODE, PITCH, LEVEL) leuchtet die LED des gewählten Operators.

12. DATA ENTRY-Regler A-F

Diese Regler ändern die im Display angezeigten Parameterwerte. Wenn Sie beim Drehen eines Reglers die SHIFT-Taste gedrückt halten, können Sie den Wert feiner einstellen.

13. EDIT SELECT-Tasten

Diese Tasten rufen die ihnen zugewiesene Bearbeitungsseite im Display auf. Halten Sie gleichzeitig die SHIFT-Taste gedrückt, wird die unterhalb der Tasten genannte Seite aufgerufen.

14. (Randomize)-Taste

Hiermit beginnt die zufällige Bearbeitung. Halten Sie beim Drücken dieser Taste die SHIFT-Taste gedrückt, um das Programm zurückzusetzen.

15. WRITE-Taste

Speichert die Einstellungen des bearbeiteten Programms. Halten Sie beim Drücken dieser Taste die SHIFT-Taste gedrückt, um die Einstellungen des bearbeiteten Programms auf den zuletzt gespeicherten Zustand zurückzusetzen.

16. SHIFT-Taste

Diese Taste ruft die Zusatzfunktionen von Reglern und Tasten auf. Außerdem wird nach Drücken von SHIFT kurzzeitig der aktuelle Wert jedes Parameters im Display angezeigt. Mit einem Doppelklick auf die SHIFT-Taste wird der SHIFT-Zustand beibehalten. Durch erneutes Drücken der SHIFT-Taste beenden Sie diesen Zustand wieder.

17. PITCH-Rad

Steuert die Tonhöhe des Klangs.

18. MODULATION-Rad

Das Modulationsrad wird hauptsächlich zur Steuerung von Cutoff-Frequenz oder Vibratotiefe verwendet. Sie können auch ändern, welche Parameter mit dem Rad gesteuert werden.

19. OCTAVE-Tasten

Zum Verschieben des der Tastatur zugewiesenen Tonumfangs in Oktavschritten nach oben oder unten über einen Bereich von vier Oktaven.

20. ARPEGGIATOR-Taste

Schaltet den Arpeggiator ein/aus. Halten Sie die Taste gedrückt, um die Latch-Funktion des Arpeggiators ein-/auszuschalten.

21. SEQUENCER/FAVORITES-Taste

Zur Auswahl der den STEP-Tasten 1-16 zugewiesenen Funktion. Ist SEQUENCER ausgewählt, dienen diese Tasten als Schritt-Tasten für den Schrittsequencer. Ist FAVORITE ausgewählt, können Sie den STEP-Tasten 1-16 beliebige Programme zum Sofortaufruf zuweisen.

22. PLAY-Taste

Diese Taste startet und stoppt die Wiedergabe des Schrittsequencers. Beim Umschalten auf Wiedergabe wird der Sequencer immer auf den ersten Schritt zurückgesetzt. Drücken Sie bei gedrückter SHIFT-Taste die PLAY-Taste, um den Key-Trigger-Modus auf „latch“ zu setzen, halten Sie die SHIFT-Taste gedrückt und drücken Sie die PLAY-Taste länger.

23. REC-Taste

Ruft den Aufnahmemodus des Schrittsequencers auf. Bei gestopptem Sequencer beginnt damit die Schrittaufnahme, bei der Sequenzwiedergabe die Echtzeitaufnahme.

24. CLEAR-Taste

Während der Schrittsequenzwiedergabe wird die Sequenz stummgeschaltet, solange diese Taste gedrückt wird. Drücken Sie diese Taste während der Echtzeitaufnahme, werden die in dieser Zeit wiedergegebenen Noten gelöscht. Ansonsten können Sie jederzeit diese Taste gedrückt halten und mit den STEP-Tasten 1-16 einen Schritt löschen.

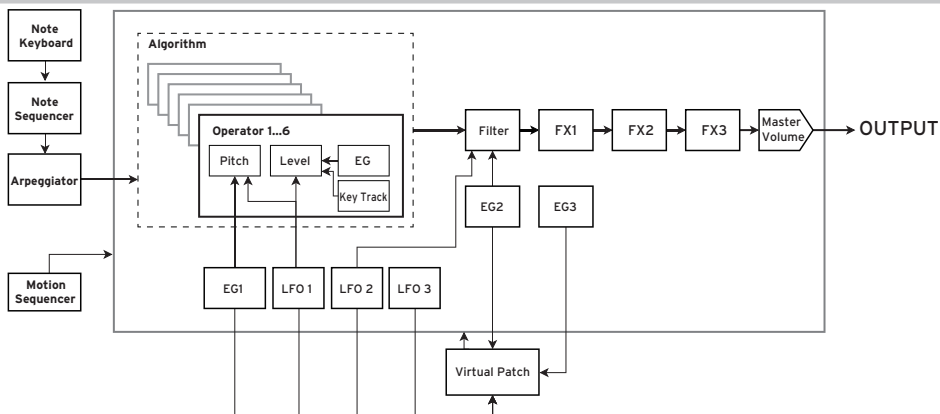
25. DUP.-Taste

Um einen gewählten Schritt in einen anderen Schritt zu kopieren, halten Sie diese Taste gedrückt und wählen Sie mit den STEP-Tasten 1-16 Quell- und Zielschritt aus.

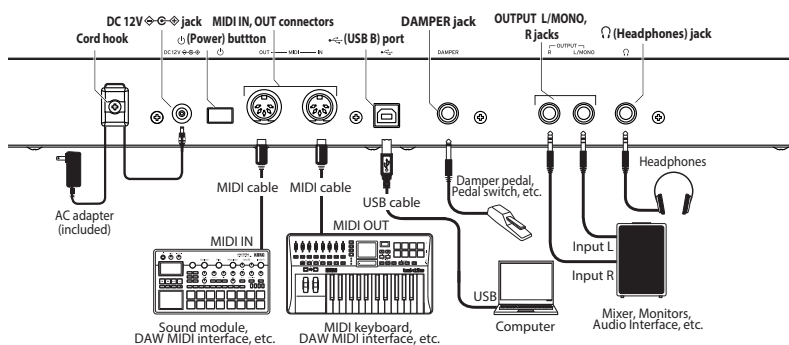
26. STEP-Tasten 1-16

Ist SEQUENCER ausgewählt, können Sie mit der SEQUENCER/FAVORITES-Taste Schritte im Schrittsequencer ein-/ausschalten, Sequenzdaten bearbeiten oder die angezeigten Schritte auswählen. Ist FAVORITES ausgewählt, können Sie mit den STEP-Tasten 1-16 die zuvor registrierten Programme aufrufen.

Blockschaltbild



Anschlüsse auf Rückseite



Anschließen des Netzteils

1. Schließen Sie den kleinen Stecker des **AC-Netzteils** an die **DC 12V**-Buchse auf der Rückseite des opsis SE an.
 - ⚠ Verwenden Sie unbedingt das beiliegende AC-Netzteil. Die Verwendung anderer Netzteile könnte zu Schäden führen.
2. Wickeln Sie das Netzteilkabel nach Anschließen des Steckers um den **Kabelhaken**.
 - ⚠ Ziehen Sie das Kabel nie mit Gewalt vom Haken. Sonst könnte der Stecker beschädigt werden.
3. Verbinden Sie das Netzteil mit einer Steckdose.
 - ⚠ Wählen Sie immer eine Steckdose mit einer für das Netzteil geeigneten Spannung.

Andere Anschlüsse

Schließen Sie den opsis SE an die geeigneten Buchsen des Verstärkersystems an.

- ⚠ Schalten Sie alle Geräte aus, bevor Sie die Verbindungen herstellen. Das Anschließen von eingeschalteten Geräten kann zu Funktionsstörungen und Schäden an den Lautsprechern oder anderen Komponenten führen.
- ⚠ Verwenden Sie für folgende Anschlüsse Kabel bis maximal 3 m Länge, sonst kann es zu Fehlfunktionen kommen.
 - 🎧 (Kopfhörer)-Buchse, DAMPER-Buchse, USB-B-Port

OUTPUT L/MONO-, R-Buchsen: Verbinden Sie diese TRS-Buchsen mit einem Mischpult, einer Audioschnittstelle, einem Abhörsystem usw. Stellen Sie die Lautstärke mit dem VOLUME-Regler ein.

🎧 **(Kopfhörer)-Buchse:** Hier kann ein Kopfhörer angeschlossen werden. Das hier anliegende Signal ist mit dem von OUTPUT L/MONO und R identisch.

DAMPER-Buchse: Schließen Sie ein Korg DS-1H Dämpferpedal oder einen PS-1/PS-3 Fußtaster (Sonderzubehör) an, um die Dämpferfunktion anzusteuern. Die Polarität des Pedals wird automatisch erkannt. Das funktioniert aber nur, wenn das Pedal beim Anschließen oder Einschalten des Instruments nicht gedrückt ist.

MIDI IN-, OUT-Buchse: Über diese Buchsen sendet bzw. empfängt der opsis SE MIDI-Befehle zu/von externen MIDI-Geräten. Denken Sie daran, die richtigen Kanalnummern zu wählen.

USB B-Port: Verbinden Sie ihn mit Ihrem Computer, um MIDI-Befehle und Daten auszutauschen.

Ein-/Ausschalten

Einschalten des opsis SE

Überzeugen Sie sich davon, dass sowohl der opsis SE als auch das Verstärkungssystem ausgeschaltet sind und stellen die Lautstärke aller Geräte auf den Mindestwert.

1. Halten Sie (Einschalttaste) auf der Rückseite gedrückt. Geben Sie (Einschalttaste) frei, sobald das „opsis SE“-Logo angezeigt wird.
2. Schalten Sie das Verstärkungssystem (z.B. die Aktivboxen) ein und stellen Sie die Lautstärke auf den gewünschten Wert. Stellen Sie die Lautstärke des opsis SE mit seinem VOLUME-Regler ein.

Ausschalten des opsis SE

1. Stellen Sie die Lautstärke der Aktivboxen bzw. des externen Verstärkers auf den Mindestwert und schalten Sie sie/ihn aus.
2. Halten Sie (Einschalttaste) des opsis SE gedrückt, bis die Meldung „Shutting down“ angezeigt wird. Geben Sie ihn anschließend frei.

Energiesparfunktion

Laut Vorgabe schaltet sich der opsis SE automatisch aus, wenn man länger als vier Stunden weder die Bedienelemente noch die Tastatur verwendet und wenn so lange keine MIDI-Befehle empfangen werden. Informationen zum Deaktivieren dieser Funktion finden Sie in der Bedienungsanleitung (PDF).

Spiele auf dem opsix SE

Ein Programm abspielen

1. Wählen Sie mit dem PROGRAM-Regler [6] ein Programm.



2. Spielen Sie die Tastatur, um den Sound zu überprüfen.
3. Um zu bestätigen, dass dies das Programm ist, das Sie auswählen möchten, betätigen Sie die YES-Taste [8].
Um die Auswahl abzubrechen und zum vorherigen Programm zurückzukehren, betätigen Sie die NO-Taste [8].
4. Um den Tonwertumfang der Tastatur zu ändern, betätigen Sie die OCTAVE-Taste [7]. Dies ändert den Tonumfang der Tastatur in Schritten von einer Oktave.
5. Verwenden Sie das PITCH-Rad [17], um die Tonhöhe zu ändern. Das MODULATION-Rad [18] steuert jeden ihm zugewiesenen Parameter. Es wird hauptsächlich zum Ändern der Cutoff-Frequenz und der Vibratotiefe verwendet. Sie können auch ändern, welche Parameter vom MODULATION-Rad gesteuert werden [18].

Verwendung des Analyzers

Sie können eine Echtzeitanalyse der Audioausgabe des Synthesizers auf dem Display [5] anzeigen, indem Sie die ANALYZER-Taste [9] betätigen. Diese Taste wechselt zwischen einem Spectrum-Analyzer, einem Oszilloskop und der zuvor angezeigten Seite.

Mit dem Arpeggiator spielen

1. Betätigen Sie die ARPEGGIATOR-Taste [20]. Im Display erscheint „Arpeggiator Run = On“.
2. Das im Programm festgelegte Muster wird beim Spielen der Tastatur verwendet.
3. Betätigen Sie die ARPEGGIATOR-Taste [20] erneut, um den Arpeggiator auszuschalten. Im Display erscheint „Arpeggiator Run = Off“.
4. Wenn Sie die ARPEGGIATOR-Taste [20] gedrückt halten, wird im Display „Arpeggiator Run = Latch“ angezeigt und die Latch-Funktion aktiviert. Der Arpeggiator spielt weiter, auch nach Loslassen der Tasten. Halten Sie die ARPEGGIATOR-Taste [20] erneut gedrückt, um die Latch-Funktion zu deaktivieren.

Die Programme bearbeiten

Bearbeiten mit dem Operator-Mixer

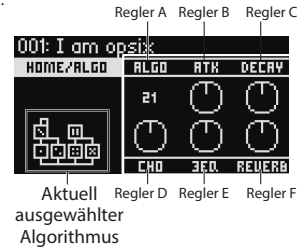
In der Sektion OPERATOR MIXER können Sie mit den Reglern RATIO OP 1-6 [3] die Tonhöhenparameter (RATIO) für jeden Operator und mit den Schieberegler LEVEL OP 1-6 [4] die Ausgangspegel bearbeiten.

1. Betätigen Sie den PROGRAM-Regler [6], um ein Programm zur Bearbeitung auszuwählen.
2. Betätigen Sie die Regler RATIO OP 1-6 [3] und die Schieberegler LEVEL OP 1-6 [4] des OPERATOR MIXERS.
Der Effekt ändert sich abhängig davon, ob der Operator, den Sie bearbeiten, ein Träger (die RATIO-Regler-LED leuchtet rot) oder ein Modulator (die RATIO-Regler-LED leuchtet blau) ist.
RATIO-Regler [3]: Ändert die Tonhöhe des entsprechenden Operators. In der Hauptsache ändert sich bei Trägern die Tonhöhe und bei Modulatoren die Helligkeit des Klangs oder die Position der Obertöne. Durch Erhöhen der Tonhöhe eines Modulators werden die brillanten Obertöne hervorgehoben, die für FM-Tonerzeuger charakteristisch sind.
LEVEL-Schieberegler [4]: Ändern Sie den Ausgangspegel jedes der Operatoren. Die Lautstärke ändert sich für die Träger, während die Helligkeit des Klangs und die Stärke der Obertöne ändert sich für die Modulatoren. Wenn sich der Träger im FM-Modus befindet und der Ausgangspegel des Modulators stark erhöht ist, können Sie einen stark verzerrten Klang erzielen, der einer verzerrten Gitarre ähnelt.

Einfache Programmbearbeitung

Neben den Parametern der Operatoren können Sie auf der Seite HOME/ALGO auch die Hauptparameter bearbeiten.

1. Betätigen Sie die -Taste [10], um die Seite HOME/ALGO anzuzeigen.
2. Verwenden Sie die Regler DATA ENTRY A - F [12], um die Werte für die auf dem Display angezeigten Parameter zu ändern.
ALGO: Wählen Sie aus den voreingestellten oder benutzerdefinierten Algorithmen denjenigen aus, der die Struktur für die Operatoren 1-6 bestimmt.
ATK: Legt die Attack-Zeit (wie schnell eine Note anschwillt) für alle Operatoren fest.
DECAY: Legt die Decay/Release-Zeit (wie schnell eine Note ausklingt) für alle Operatoren fest.
FX1-3: Obwohl die Funktionsweise hier vom eingestellten Effekttyp abhängt, wird hauptsächlich die Tiefe des Effekts verändert.



Randomisierte Bearbeitung

Die Parameter des aktuellen Programms im ausgewählten Bereich werden auf zufällige Werte gesetzt. Verwenden Sie diese Option, wenn Sie beim Erzeugen von Sounds nach neuer Inspiration suchen.

1. Betätigen Sie die -Taste [14], um die Seite Randomize anzuzeigen.
2. Wählen Sie den Umfang der zu randomisierenden Parameter aus. Ändern Sie den Parameter SCOPE mit dem Regler DATA ENTRY A. PROGRAM ist standardmäßig ausgewählt; das bedeutet, alle Programmparameter werden zufällig ausgewählt.
3. Betätigen Sie die YES-Taste [8], um eine Bestätigungsmeldung anzuzeigen.
4. Betätigen Sie die YES-Taste [8] erneut zum Randomisieren.

Detaillierte Bearbeitung

Sie können detaillierte Änderungen wie folgt vornehmen.

1. Drücken Sie die gewünschte PAGE SELECT-Taste [13] zwischen der MODE- und EFFECT-Taste, um die entsprechende Seite anzuzeigen. Um eine der sekundären Seiten, wie unter den Schaltflächen dargestellt, anzuzeigen, halten Sie die SHIFT-Taste [16] gedrückt und wählen Sie die gewünschte Seite aus.
2. Manchmal wird auf der linken Seite des Bildschirms darauf hingewiesen, dass mehrere Unterseiten verfügbar sind. Sie können die PAGE < und > Tasten [7] verwenden, um diese durchzublättern.
3. Für jeden der Operatoren können Sie die Parameter auf den Seiten MODE, PITCH und LEVEL bearbeiten. Verwenden Sie die OP SELECT + und - Tasten [8], um den zu bearbeitenden Operator auszuwählen.

Wählen Sie den zu bearbeitenden Operator mit Hilfe der OP SELECT + und - Tasten



4. Verwenden Sie die DATA ENTRY A - F-Regler [12], um die Parameter zu ändern.
Die bearbeitbaren Parameter jeder Seite werden unten angezeigt:
MODE: Ändert den Operator-Modus und die Ausgangswellenformen für OP 1-6.
PITCH: Ändert die Tonhöhe von OP 1-6 sowie die Tonhöhenmodulation vom LFO/EG.
LEVEL/EG: Legt die Ausgangspegel, EG und Tastenverfolgung für OP 1-6 fest.
MOD: Konfiguriert LFO 1-3 und EG 1-3.
FILTER: Legt den Gesamtfilter für OP 1-6 fest.
EFFECT: Dient zum Auswählen von Effekttypen oder zum detaillierten Bearbeiten der Effekte.
ARP: Konfiguriert den Arpeggiator.
SEQ: Dient zum Einstellen der Funktionsweise des Sequenzers und zum detaillierten Bearbeiten der Sequenzdaten.
VOICE: Legt fest, ob ein Sound im Mono-, Poly- oder Unison-Modus abgespielt wird.
V.PATCH: Gibt das Ziel und die Tiefe des Effekts an, der von LFO, EG und anderen Modulationsquellen erzeugt wird.
MISC: Wird zum Ändern anderer Programmparameter verwendet. Sie

können Operatoren auf der Seite OP UTIL kopieren.

GLOBAL: Wird zur Konfiguration des Instruments insgesamt verwendet. Die Einstellungen, die Sie in diesem Modus vornehmen, werden nicht in einem Programm gespeichert, sondern gelten für alle Programme. Alle Änderungen, die Sie vornehmen, werden automatisch gespeichert.


Tip: Einzelheiten zu den Parametern sowie weitere Informationen zu den Effektparametern finden Sie in der Bedienungsanleitung (PDF).

Speichern eines Programms

Speichern Sie alle von Ihnen bearbeiteten Programme auf dem Opsix SE. Alle Änderungen, die Sie vornehmen, gehen verloren, wenn Sie die Stromversorgung von Opsix SE ausschalten oder ein anderes Programm auswählen, bevor Sie die Daten gespeichert haben.

1. Drücken Sie die WRITE-Taste [15].
Der Opsix SE wechselt in den Standby-Modus, und die YES- und NO-Tasten blinken.
2. Ändern Sie den Programmnamen nach Bedarf.
PROGRAM-Regler [5]: Ändert das Zeichen an der Cursorposition.
SHIFT-Taste [16]: Ändert den Typ des einzugebenden Zeichens.
PAGE < und > Tasten [7]: Bewegt den Cursor. Halten Sie die SHIFT-Taste gedrückt, während Sie die PAGE < Taste drücken, um das Zeichen an der Cursorposition zu löschen. Halten Sie die SHIFT-Taste gedrückt, während Sie die PAGE > Taste drücken, um ein Leerzeichen an der Cursorposition einzufügen.
DATA ENTRY A-F Regler [12]: Das Drehen dieses Reglers nach links oder rechts entspricht dem Drücken der PAGE < und > Tasten nacheinander.
3. Drücken Sie die YES-Taste, um den Programmnamen zu bestätigen.
4. Mit dem PROGRAM-Regler wählen Sie den Programmort aus, an dem Ihr bearbeiteter Sound gespeichert werden soll.
Wählen Sie ein anderes Programm, wenn Sie das ursprüngliche Programm beibehalten möchten.

Tip: Drücken Sie zum Abbrechen die NO-Taste.

5. Drücken Sie die YES-Taste, um das Programm zu speichern.
Das Programm wird gespeichert und die Meldung „Write Completed“ wird im Display angezeigt.
 Schalten Sie niemals das Gerät aus, während ein Programm gespeichert wird, sonst können interne Daten verloren gehen.

Verwenden des Schrittsequenzers

Der Opsix SE verfügt über einen polyphonen Sequenzer mit bis zu 16 Schritten. Sequenzdaten für den Schrittsequenzer werden in jedem Programm gespeichert. Zusätzlich zu den Notendaten können Sie auch Bewegungssequenzen aufnehmen und wiedergeben (dies sind Änderungen am Sound, die mit den Reglern oder Schieberegler des Opsix SE vorgenommen wurden).

Wiedergabe und Aufnahme mit dem Schrittsequenzer

Hier werden die für jedes Programm aufgezeichneten Sequenzdaten wiedergegeben.

1. Drücken Sie die PLAY-Taste [22].
Die für das aktuell ausgewählte Programm aufgezeichneten Sequenzdaten werden wiedergegeben.
2. Drücken Sie die REC-Taste, wenn Sie aufnehmen möchten, was Sie auf der Tastatur spielen.
Die REC-Taste [23] leuchtet auf und alle Noten, die Sie anschließend spielen, werden als Sequenzdaten aufgezeichnet. Drücken Sie die REC-Taste erneut, um die Aufnahme zu beenden.
3. Um die Wiedergabe von Sequenzdaten zu stoppen, drücken Sie erneut die PLAY-Taste.


HINWEIS: Alle Daten, die Sie aufzeichnen, gehen verloren, wenn Sie den Opsix SE ausschalten oder ein anderes Programm auswählen, bevor Sie die Daten gespeichert haben. → „Speichern eines Programms“

Schrittaufnahme

1. Drücken Sie die SEQUENCER / FAVORITES MODE-Taste [21] um SEQUENCER auszuwählen.



2. Wählen Sie ein Programm aus und drücken Sie die REC-Taste.
Die STEP-1 Taste blinkt.
3. Verwenden Sie die STEP 1–16-Tasten [26], um die einzugebenden Schritte auszuwählen.
Die von Ihnen ausgewählten STEP-Tasten blinken.

4. Drücken Sie gleichzeitig eine oder mehrere Tasten auf der Tastatur, um im aktuellen Schritt eine oder mehrere Noten aufzunehmen.
Drücken Sie eine der STEP 1–16-Tasten, während Sie eine Taste gedrückt halten, um einen Bindebogen aufzunehmen. Der Bindebogen verbindet die Note mit dem gedrückten Schritt.
5. Wenn die voreingestellte Anzahl an Schritten aufgenommen worden ist, endet die Schrittaufnahme automatisch (REC-Taste erlischt).
Drücken Sie während der Aufnahme die REC-Taste, um die Aufnahme zu unterbrechen.
6. Speichern Sie das Programm, nachdem Sie die Aufnahme beendet haben.
Falls Sie ein anderes Programm auswählen, ohne Ihr zuvor bearbeitetes Programm zu speichern, gehen beim Aufrufen der Sequenzdaten des neuen Programms Ihre zuvor bearbeiteten Sequenzdaten verloren.
 Durch das Speichern eines Programms werden die Sequenzdaten an dieser Programmposition überschrieben.

Weitere Funktionen

Rücksetzen des Opsix SE auf die Werkseinstellungen

Um den werkseitigen Standardzustand von Opsix SE wiederherzustellen, schalten Sie das Gerät ein, während Sie die SHIFT- und die WRITE/RECALL-Taste gedrückt halten. Genauer hierzu erfahren Sie in der Bedienungsanleitung (PDF).

-  Schalten Sie das Gerät beim Laden von Daten niemals aus, sonst können interne Daten verloren gehen.

Technische Daten

Tastatur: 61 Tasten, Natural-Touch-Tastatur (Anschlag- und Loslass-Dynamik, mit Aftertouch)

Maximale Polyphonie: 80 Stimmen (Die maximale Anzahl der Stimmen hängt von den Einstellungen ab)

Klangzeugungssystem: Altered FM sound generator

Anzahl der Programme: 500

Ein- und Ausgänge: Kopfhörer (6,3 mm-Stereoklinkenbuchse), OUTPUT L/ MONO und R (symmetrische 6,3 mm TRS-Klinkenbuchsen), DAMPER (6,3 mm-Klinkenbuchsen, nicht halbdämpferfähig), MIDI IN- und OUT-Buchse, USB B-Port

Stromversorgung: Netzteil (DC12V, )

Leistungsaufnahme: 5 W

Abmessungen (B × T × H): 1014 × 344 × 108 mm

Gewicht: 8,6 kg

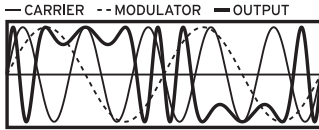
Lieferumfang: Netzteil, Blitzstart

Zubehör (separat erhältlich): DS-1H Dämpferpedal, PS-1 Fußtaster, PS-3 Fußtaster

* Änderungen der technischen Daten und des Designs ohne vorherige Ankündigung vorbehalten.

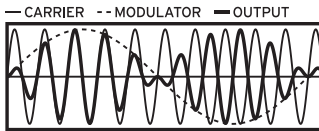
Operator-Modi

FM



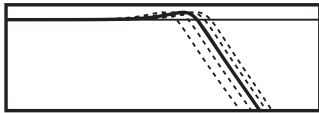
Die Tonhöhe eines Oszillators kann durch schnelle Verwendung des Audiosignals vom Modulator nach oben und unten moduliert werden, um den Toncharakter zu ändern.

RING MOD



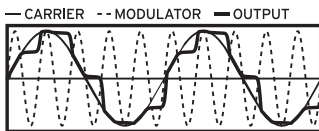
Der Eingang vom Modulator wird mit dem Oszillatorsignal multipliziert, um die Lautstärke des Oszillators schnell zu ändern, wodurch sich der Toncharakter ändert.

FILTER



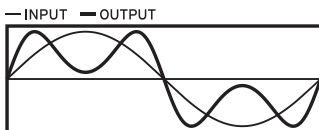
Dieses Filter verfügt über eine Tastenverfolgungsfunktion. Die Signale vom Oszillator und Modulator werden in das Filter eingegeben.

FILTER FM



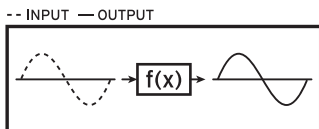
Dies erzeugt einen Ultrahochgeschwindigkeits-Wah-Effekt. Die Grenzfrequenz wird unter Verwendung des Eingangs vom Modulator moduliert, und das Oszillatorsignal wird als Audioeingang für das Filter verwendet.

WAVE FOLDER



Das Wellenfaltungsmodul erzeugt Obertöne durch Invertieren der Wellenform des Oszillatorsignals bei einer festen Schwelle.

EFFECT



In diesem Modus arbeitet der Operator als Effekt wie ein Delay, Kammfilter oder Verzerrer. Das Signal vom Oszillator und das Eingangssignal des Modulators werden in den Effekt eingegeben.

opsix SE

ALTERED FM SYNTHESIZER

Guía de inicio rápido

Índice

Precauciones	23
Introducción	24
Acerca de los manuales del opsix SE.....	24
Características principales.....	24
Acerca del generador de sonido del opsix SE.....	24
Descripción del panel y funciones	25
Diagrama de bloques	26
Conexiones del panel posterior	26
Conectar el adaptador de CA.....	26
Otras conexiones.....	26
Activar/desactivar el equipo	26
Activar el opsix SE.....	26
Desactivar el opsix SE.....	26
Desactivación automática.....	26
Tocar el opsix SE	27
Tocar un programa.....	27
Uso del analizador.....	27
Tocar con el arpeggiador.....	27
Edición de programas	27
Edición con el mezclador de operadores.....	27
Edición fácil de programas.....	27
Edición aleatoria.....	27
Edición detallada.....	27
Guardar un programa.....	28
Utilización del secuenciador por pasos	28
Reproducción y grabación en el secuenciador por pasos.....	28
Grabación por pasos.....	28
Otras funciones	28
Restaurar el opsix SE a los ajustes predeterminados de fábrica.....	28
Especificaciones	28
Modos de operador	29

Precauciones

Ubicación

El uso de la unidad en las siguientes ubicaciones puede dar como resultado un mal funcionamiento:

- Expuesto a la luz directa del sol
- Zonas de extremada temperatura o humedad
- Zonas con exceso de suciedad o polvo
- Zonas con excesiva vibración
- Cercano a campos magnéticos

Fuente de alimentación

Por favor, conecte el adaptador de corriente designado a una toma de corriente con el voltaje adecuado. No lo conecte a una toma de corriente con voltaje diferente al indicado.

Interferencias con otros aparatos

Las radios y televisores situados cerca pueden experimentar interferencias en la recepción. Opere este dispositivo a una distancia prudencial de radios y televisores.

Manejo

Para evitar una rotura, no aplique excesiva fuerza a los conmutadores o controles.

Cuidado

Si exterior se ensucia, límpiese con un trapo seco. No use líquidos limpiadores como disolvente, ni compuestos inflamables.

Guarde este manual


Después de leer este manual, guárdelo para futuras consultas.


Mantenga los elementos externos alejados del equipo

Nunca coloque ningún recipiente con líquido cerca de este equipo, podría causar un cortocircuito, fuero o descarga eléctrica. Cuide de que no caiga ningún objeto metálico dentro del equipo.

Si cae algo dentro del equipo, desenchufe el adaptador de CA de la toma de corriente. A continuación, póngase en contacto con el distribuidor Korg más cercano o con el establecimiento donde compró el producto.

Nota respecto a residuos y deshechos (solo UE)

 Cuando aparezca el símbolo del cubo de basura tachado sobre un producto, su manual del usuario, la batería, o el embalaje de cualquiera de éstos, significa que cuando quiere tire dichos artículos a la basura, ha de hacerlo en acuerdo con la normativa vigente de la Unión Europea. No debe verter dichos artículos junto con la basura de casa.

 Verter este producto de manera adecuada ayudará a evitar daños a su salud pública y posibles daños al medioambiente. Cada país tiene una normativa específica acerca de cómo verter productos potencialmente tóxicos, por tanto le rogamos que se ponga en contacto con su oficina o ministerio de medioambiente para más detalles. Si la batería contiene metales pesados por encima del límite permitido, habrá un símbolo de un material químico, debajo del símbolo del cubo de basura tachado.

Gestión de datos

Si utiliza el equipo de forma incorrecta o se produce un funcionamiento anómalo, el contenido de la memoria se podría perder, por lo que se recomienda guardar los datos importantes en un dispositivo de almacenamiento USB o en un soporte similar. Tenga en cuenta que Korg no acepta ningún tipo de responsabilidad por cualquier daño que pueda producirse por la pérdida de datos.

AVISO DE COPYRIGHT

Este dispositivo profesional sólo puede utilizarse con las obras de las que usted mismo posee el copyright, con las que dispone del permiso del titular del copyright para interpretar, grabar, emitir, vender y duplicar públicamente, o las relacionadas con las actividades que constituyen un "uso justo" según la ley de derechos de autor. Si usted no es el titular del copyright, o no ha recibido el permiso del titular del copyright o no ha realizado un uso justo de las obras, puede incurrir en una violación de la ley de derechos de autor, ser responsable de daños y recibir posibles sanciones. Si tiene dudas acerca de sus derechos respecto a alguna obra, consulte con un abogado especializado en derechos de autor.

KORG NO ASUME NINGUNA RESPONSABILIDAD POR CUALQUIER INFRACCIÓN COMETIDA MEDIANTE EL USO DE PRODUCTOS KORG.

El contenido interno de este producto o incluido con él no puede ser extraído, grabado o almacenado de forma similar a su estado original, ni tampoco distribuido o puesto a disposición del público en Internet.

El contenido de este producto (programas de sonido, datos de estilos, patrones de acompañamiento, datos MIDI, datos de muestras PCM, datos de audio, sistema operativo, etc.) es propiedad de KORG Inc. con copyright, o es material con copyright de terceros que KORG Inc. utiliza bajo licencia. No es necesario el permiso de KORG Inc. para utilizar el contenido anteriormente mencionado para producir o interpretar obras musicales, ni tampoco para grabar y distribuir dichas obras.

* Todos los nombres de productos y compañías son marcas comerciales o marcas comerciales registradas de sus respectivos propietarios.

Introducción

Gracias por adquirir el sintetizador de FM modificado opsix SE de Korg. Para ayudarle a sacar el máximo partido de su nuevo instrumento, lea detenidamente este manual.

Acerca de los manuales del opsix SE

La documentación de este producto consta de:

- Guía de inicio rápido (este documento)
- Manual del usuario (puede descargar el PDF desde el sitio web de Korg www.korg.com)

Características principales

- El opsix SE cuenta con un generador de sonido FM que produce armónicos complejos modulando rápidamente las formas de onda básicas de sus osciladores mediante otros osciladores.
- Además de la síntesis FM, el opsix SE también cuenta con diversos modos de operador como un modulador en anillo, wavefolder, efecto, etc. Los seis operadores pueden combinarse para crear una gran variedad de sonidos.
- Se puede utilizar el mezclador de operadores (con deslizantes y mandos) para controlar directamente los parámetros de cada operador. Esto es útil para una edición intuitiva y para hacer cambios de sonido dinámicos cuando se está tocando.
- El opsix SE dispone de una generosa selección de filtros, entre los que se incluyen los modelos Polysix y MS-20, que cubren las bases para hacer sonidos como los generados con síntesis sustractiva.
- Hay disponibles tres multiefectos de alta definición, y puede seleccionar entre 30 tipos para cada uno.
- 500 programas que pueden recuperarse y guardarse en un instante.
- Potente secuenciador polifónico de 16 pasos.
- El opsix SE dispone de un analizador de espectro y un osciloscopio que permiten visualizar el sonido.
- El opsix SE tiene un teclado de 61 teclas con aftertouch. "Aftertouch" es un efecto que se aplica cuando se toca una tecla y después se presiona más en el teclado mientras se mantiene la tecla pulsada. Cuanto más se presiona en la tecla, mayor es el efecto. El aftertouch se usa normalmente para controlar el volumen, el sonido (frecuencia de corte) y la sensibilidad del LFO.

Acerca del generador de sonido del opsix SE

Los principios de la generación de sonido FM fueron descubiertos y establecidos por el doctor John Chowning de la Universidad de Stanford en la década de los 70 cuando estaba experimentando con el vibrato. La generación de sonido FM fue luego empaquetada en un chip LSI y llevada a la práctica por Yamaha Corporation. Desde principios de los años 80, la generación de tonos FM se utilizó como fuente de sonido interna en la serie DX de Yamaha, en los ordenadores personales de todos los fabricantes, en las máquinas de juegos y en los teléfonos móviles o celulares.

• **Operador (modulador, transportador)**
El generador de sonido FM (modulación de frecuencia) se basa en elementos de síntesis llamados "operadores". Los operadores se modulan utilizando formas de onda de entrada sencillas, como por ejemplo ondas senoidales, para producir sonidos con armónicos complejos. Los operadores pueden actuar como modulador o como transportador. La salida de sonido de un modulador se envía a otro operador y se utiliza para la modulación. Los transportadores reciben el sonido que sale de los moduladores y emiten el resultado modulado en forma de audio.

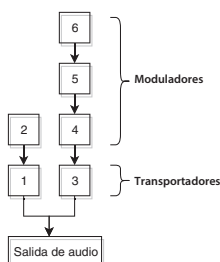
• Algoritmos

En el generador de sonido FM, la combinación de funciones y conexiones de un operador se denomina "algoritmo". La selección de un algoritmo es la base para la creación de sonido. El generador de sonido del opsix SE incluye seis operadores, y hay disponibles 40 algoritmos predefinidos. También se puede utilizar la función de algoritmos de usuario para crear nuevas combinaciones.

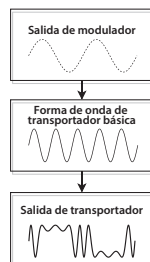
• Modos de operador

Aunque la base del opsix SE es el generador de sonido FM, se puede cambiar el modo de operador para realizar diferentes tipos de modulación además de FM. La combinación de modulador en anillo, filtro, wavefolder y efecto posibilita la creación de nuevos tipos de sonidos que superan el alcance de los típicos sonidos FM.

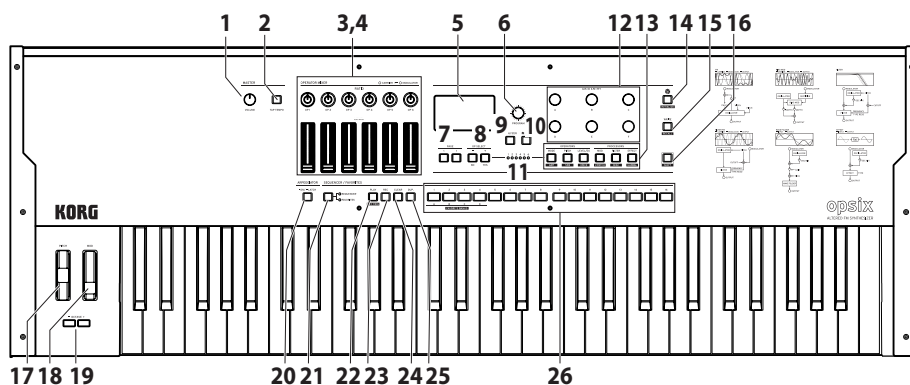
Ejemplo de algoritmo
(algoritmo predeterminado 1)



Lo que ocurre cuando los moduladores modulan a los transportadores



Descripción del panel y funciones



1. Mando VOLUME

Este mando ajusta el volumen de las salidas AUDIO OUTPUT (L/MONO, R) así como el volumen del jack para auriculares.

2. Botón TAP TEMPO

Durante la reproducción, se puede introducir un valor de tempo manualmente pulsando suavemente este botón unas cuantas veces al tempo deseado (tempo por pulsación).

3. Mandos RATIO OP 1-6

Estos mandos cambian el tono de afinación de cada operador. Utilice estos mandos mientras mantiene pulsado el botón SHIFT para cambiar los modos de operador.

4. Deslizantes LEVEL OP 1-6

Estos deslizantes cambian el nivel de salida de cada operador. Utilice estos mandos mientras mantiene pulsado el botón SHIFT para cambiar las formas de onda del oscilador.

5. Pantalla

Muestra información variada como datos de programas y valores de parámetros.

6. Mando PROGRAM

Selecciona los programas.

7. Botones PAGE < y >

Utilice los botones < y > para cambiar entre páginas de edición. Estos botones están habilitados cuando se muestra la guía de páginas en la pantalla.

8. Botones OP SELECT +/- y botones YES/NO

Utilice estos botones para seleccionar el oscilador que se va a editar. También se utilizan para seleccionar (YES) o cancelar (NO) elementos de una lista o al guardar programas.

9. Botón ANALYZER

Cambia la pantalla para que aparezcan el analizador de espectro y el osciloscopio.

10. Botón HOME (ALGO)

Muestra en pantalla la página HOME/ALGO.

11. Indicadores LED de selección de operador

El operador seleccionado se iluminará cuando se muestre en pantalla la página de edición (MODE, PITCH, LEVEL) del operador.

12. Mandos DATA ENTRY A-F

Estos mandos cambian los valores de los parámetros mostrados en la pantalla. Mantenga pulsado el botón SHIFT mientras gira un mando para hacer cambios precisos en el valor.

13. Botones EDIT SELECT

Estos botones cambian la página de edición que se muestra en la pantalla. Púselos mientras mantiene pulsado el botón SHIFT para que en la pantalla aparezca la página que se muestra debajo de cada botón.

14. Botón RANDOM (Aleatorizar)

Con este botón se comienza una edición aleatoria. Mantenga pulsado el botón SHIFT mientras pulsa este botón para inicializar el programa.

15. Botón WRITE

Guarda los ajustes del programa editado. Mantenga pulsado el botón SHIFT mientras pulsa este botón para revertir los ajustes del programa que esté editando y recuperar el estado previamente guardado.

16. Botón SHIFT

Este botón permite acceder a funciones ampliadas de los mandos y botones. Así mismo, el valor actual de cada parámetro mostrado se indicará en la pantalla durante unos momentos después de pulsar SHIFT. Haga doble clic en el botón SHIFT para mantener la funcionalidad ampliada que corresponda al estado "SHIFT" en cada mando o botón. Pulse SHIFT otra vez para cancelar dicho estado de funcionalidad.

17. Rueda PITCH

Controla el tono de afinación del sonido.

18. Rueda MODULATION

Esta rueda se utiliza generalmente para controlar la frecuencia de corte o la profundidad del vibrato. También puede cambiar qué parámetros son controlados por la rueda.

19. Botones OCTAVE

Permiten cambiar el rango de notas asignadas al teclado hacia arriba o hacia abajo en pasos de una octava sobre un rango de cuatro octavas.

20. Botón ARPEGGIATOR

Activa/desactiva el arpeggiador. Manténgalo pulsado para activar/desactivar la función de bloqueo del arpeggiador.

21. Botón SEQUENCER/FAVORITES

Selecciona la función que utilizarán los botones STEP 1-16. Cuando esté seleccionado SEQUENCER, los botones actuarán como botones de paso para el secuenciador por pasos. Cuando esté seleccionado FAVORITE, podrá asignar los programas que desee a los botones STEP 1-16 y recuperarlos instantáneamente.

22. Botón PLAY

Comienza y detiene la reproducción del secuenciador por pasos. Cuando se activa la reproducción, el secuenciador siempre se reinicia desde el primer paso. Con el botón SHIFT pulsado, pulse el botón PLAY para establecer el modo de disparador de tecla. Para activar la función de bloqueo (latch) para el disparador de tecla, pulse prolongadamente el botón PLAY mientras mantiene pulsado el botón SHIFT.

23. Botón REC

Con este botón se entra en el modo de grabación del secuenciador por pasos. Cuando el secuenciador está parado, con este botón se comienza la grabación por pasos, y cuando el secuenciador está reproduciendo, con este botón se comienza la grabación en tiempo real.

24. Botón CLEAR

Cuando el secuenciador está reproduciendo, la secuencia se silencia mientras este botón está pulsado. Si pulsa este botón en la grabación en tiempo real, se eliminarán las notas que se reproduzcan durante ese tiempo. En cualquier otro momento, puede eliminar los pasos que desee manteniendo pulsado este botón y pulsando los botones STEP 1-16 que correspondan a dichos pasos.

25. Botón DUP.

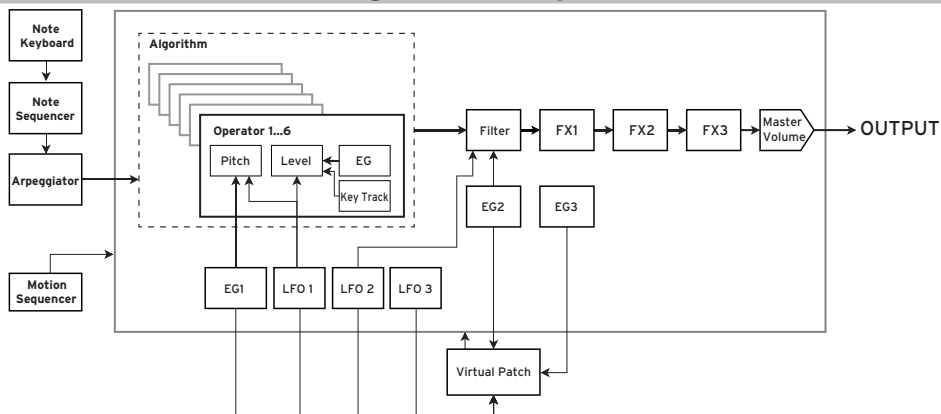
Para copiar un paso seleccionado en otro paso, mantenga pulsado este botón y pulse los pasos fuente y destino de la copia utilizando los botones STEP 1-16.

26. Botones STEP 1-16

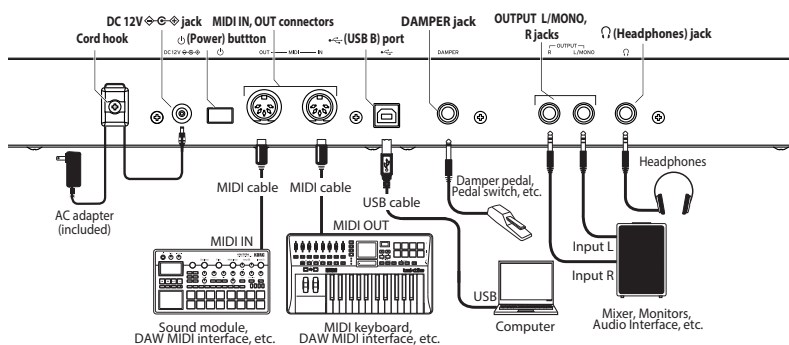
Si pulsa el botón SEQUENCER/FAVORITES mientras está seleccionado SEQUENCER, puede activar/desactivar pasos en el secuenciador por pasos, editar los datos de secuencia o seleccionar los pasos que se muestran en pantalla.

Si está seleccionado FAVORITES, puede utilizar los botones STEP 1-16 para recuperar programas que haya registrado previamente.

Diagrama de bloques



Conexiones del panel posterior



Conectar el adaptador de CA

1. Conecte el conector de CC del **adaptador de CA** al jack DC 12V del panel posterior del opsis SE.
 - ⚠ Compruebe que utiliza solamente el adaptador de CA incluido. Si utiliza cualquier otro adaptador de CA, puede provocar un funcionamiento anómalo.
2. Después de conectar el conector de CC, enrrolle el cable del adaptador de CA al **gancho para el cable**.
 - ⚠ No aplique una fuerza excesiva al tirar del cable del gancho. De lo contrario podría dañar el conector.
3. Conecte el conector del adaptador de CA a una toma de CA.
 - ⚠ Utilice siempre una toma de CA del voltaje correcto para su adaptador de CA.

Otras conexiones

Conecta el opsis SE según corresponda para su sistema de audio.

- ⚠ Compruebe que todos los dispositivos estén desactivados antes de realizar las conexiones. Si alguno de los equipos está activado al realizar las conexiones, puede provocar un funcionamiento incorrecto o daños en el sistema de altavoces y otros componentes.
- ⚠ Para los siguientes terminales, utilice cables de 3 m o menos para evitar anomalías de funcionamiento:
 - Jack (auriculares), jack DAMPER, puerto USB B.

Jacks OUTPUT L/MONO, R: Conecte estos jacks TRS a un mezclador, interfaz de audio, sistema de monitorización, etc. Ajuste el volumen con el mando VOLUME.

Jack (auriculares): Conecte aquí los auriculares. Transmite la misma señal que la de OUTPUT L/MONO y R.

Jack DAMPER: Conecte un pedal damper Korg DS-1H o un conmutador de pedal PS-1/PS-3 (no incluido) para controlar la función Damper. La polaridad del pedal se detecta de forma automática; para ello, compruebe que el pedal no esté pisado al conectarlo o durante la activación.

Conectores MIDI IN, OUT: Utilice estos conectores para conectar el opsis SE a un dispositivo MIDI externo para intercambiar mensajes MIDI. Compruebe que los canales MIDI estén correctamente configurados.

Puerto USB B: Conéctelo a un ordenador para intercambiar datos y mensajes MIDI.

Activar/desactivar el equipo

Activar el opsis SE

Compruebe que tanto el opsis SE como cualquier dispositivo de amplificación, como por ejemplo los monitores autoamplificados, estén desactivados y baje al mínimo el volumen de todos los dispositivos.

1. Mantenga pulsado el botón (botón de alimentación) del panel posterior. Cuando se muestre el logotipo de "opsis SE" en la pantalla, suelte el botón (botón de alimentación).
2. Active todos los dispositivos de amplificación, como los monitores autoamplificados, y luego ajuste su volumen. Ajuste el volumen del opsis SE con el mando VOLUME.

Desactivar el opsis SE

1. Baje el volumen de los monitores autoamplificados o del resto de los dispositivos de amplificación y luego desactívelos.
2. Mantenga pulsado el botón (botón de alimentación) del opsis SE hasta que en la pantalla se muestre "Shutting down" y luego suéltelo.

Desactivación automática

Por defecto, el opsis SE desactivará automáticamente transcurridas aproximadamente cuatro horas sin usar el panel frontal, el teclado o la entrada MIDI. Si lo desea, puede desactivar esta función. Consulte el Manual del usuario (PDF) para más información sobre cómo deshabilitar esta función.

Tocar el opsix SE

Tocar un programa

1. Gire el mando PROGRAM [6] para seleccionar un programa.



2. Toque el teclado para comprobar el sonido.
3. Para confirmar que este es el programa que desea seleccionar, pulse el botón YES [8].
Para cancelar la selección y volver al programa anterior, pulse el botón NO [8].
4. Para cambiar el rango tonal del teclado, pulse el botón OCTAVE [7]. Así cambiará el rango tonal del teclado en incrementos de una octava.
5. Utilice la rueda PITCH [17] para cambiar el tono de afinación. La rueda MODULATION [18] modifica cualquier parámetro que se le haya asignado. Se suele utilizar para cambiar la frecuencia de corte o la intensidad del vibrato. También se puede cambiar qué parámetros son controlados por la rueda MODULATION [18].

Uso del analizador

Se puede mostrar en tiempo real el análisis de la salida de audio del sintetizador en la pantalla [5] pulsando el botón ANALYZER [9]. Este botón cambia entre un analizador de espectro, osciloscopio y la página mostrada anteriormente.

Tocar con el arpeggiador

1. Pulse el botón ARPEGGIATOR [20]. En la pantalla aparecerá "Arpeggiator Run=On".
2. Cuando toque el teclado, se utilizará el patrón establecido para el programa.
3. Pulse el botón ARPEGGIATOR [20] otra vez para desactivar el arpeggiador. En la pantalla aparecerá "Arpeggiator Run=Off".
4. Si mantiene pulsado el botón ARPEGGIATOR [20], en la pantalla aparecerá "Arpeggiator Run=Latch" y se activará la función de bloqueo. El arpeggiador seguirá sonando aunque levante las manos del teclado. Mantenga pulsado el botón ARPEGGIATOR [20] otra vez para desactivar la función de bloqueo.

Edición de programas

Edición con el mezclador de operadores

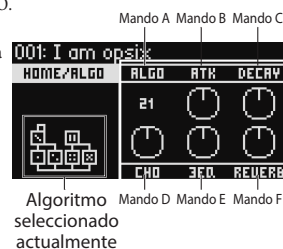
Puede utilizar los mandos RATIO OP 1-6 [3] de la sección OPERATOR MIXER para editar los parámetros de tono de afinación (RATIO) de cada operador, y los deslizantes LEVEL OP 1-6 [4] para editar los niveles de salida.

1. Gire el mando PROGRAM [6] para seleccionar el programa que desea editar.
2. Opere con los mandos RATIO OP 1-6 [3] y los deslizantes LEVEL OP 1-6 [4] de la sección OPERATOR MIXER.
El efecto cambiará dependiendo de si el operador que está editando es un transportador (el LED del mando RATIO se iluminará en rojo) o un modulador (el LED del mando RATIO se iluminará en azul).
Mando RATIO [3]: cambia el tono de afinación de cada operador. Principalmente, cambia el tono de afinación para los transportadores, y cambia el brillo del sonido o la posición de los armónicos para los moduladores. Si se sube el tono de afinación de un modulador, se enfatizarán los armónicos brillantes que son característicos de los generadores de tonos FM.
Deslizante LEVEL [4]: cambia el nivel de salida de cada operador. Cambia el volumen para los transportadores y cambia el brillo del sonido o la intensidad de los armónicos para los moduladores. Cuando el transportador está en modo FM y se sube el nivel de salida del modulador, se puede obtener un sonido muy distorsionado como el de una guitarra distorsionada.

Edición fácil de programas

Además de los parámetros de los operadores, se pueden editar los parámetros principales en la página HOME/ALGO.

1. Pulse el botón ALGO [10] para que se muestre en pantalla la página HOME/ALGO.
2. Utilice los mandos DATA ENTRY A-F [12] para cambiar los valores de los parámetros que se muestran en la pantalla. ALGO: selecciona el algoritmo que determina la estructura de los operadores 1-6 de los algoritmos predefinidos o de usuario.
ATK: establezca el tiempo de ataque (con qué rapidez comienza la nota) para todos los operadores.
DECAY: establezca el tiempo de caída/liberación (con qué rapidez se extingue la nota) para todos los operadores.
FX1-3: aunque la forma en que funciona depende del tipo de efecto seleccionado, fundamentalmente cambia la profundidad del efecto.



Edición aleatoria

Aquí se ajustan a valores aleatorios los parámetros del ámbito seleccionado en el programa actual. Puede utilizar esta función para encontrar nueva inspiración cuando esté creando sonidos.

1. Pulse el botón [14] para que se muestre en pantalla la página de aleatorización (Randomize).
2. Seleccione el ámbito de parámetros que desee aleatorizar. Cambie el parámetro SCOPE (ámbito) con el mando DATA ENTRY A. De manera predeterminada Selecciona PROGRAM, lo que significa que se aleatorizarán todos los parámetros del programa.
3. Pulse el botón YES [8] para mostrar un mensaje de confirmación.
4. Vuelva a pulsar el botón YES [8] para aleatorizar.

Edición detallada

Las ediciones detalladas se pueden hacer como se indica a continuación.

1. Pulse el botón PAGE SELECT [13] que desee entre los botones que van de MODE a EFFECT para que aparezca en la pantalla la página correspondiente. Para mostrar en la pantalla una de las páginas secundarias que figuran debajo de los botones, mantenga pulsado el botón SHIFT [16] y seleccione la página deseada.
2. Algunas veces, en la parte izquierda de la pantalla se indicará que hay varias subpáginas disponibles. Puede utilizar los botones PAGE <y> [7] para recorrerlas cíclicamente.
3. En las páginas MODE, PITCH y LEVEL se pueden editar los parámetros para cada operador. Utilice los botones OP SELECT + y - [8] para seleccionar el operador que desee editar.



Seleccione el operador que desee editar mediante los botones OP SELECT + y -

4. Utilice los mandos DATA ENTRY A-F [12] para cambiar los parámetros. A continuación se muestran los parámetros editables de cada página:
MODE: cambia el modo de operador y las formas de onda de salida para OP 1-6.
PITCH: cambia el tono de afinación de OP 1-6, así como también la modulación del tono de afinación del LFO/EG.
LEVEL/EG: ajusta los niveles de salida, el EG y la función "key tracking" (seguimiento de teclado) para OP 1-6.
MOD: configura LFO 1-3 y EG 1-3.
FILTER: ajusta el filtro global utilizado para OP 1-6.
EFFECT: se utiliza para seleccionar tipos de efectos o hacer ediciones detalladas en los efectos.
ARP: configura el arpeggiador.
SEQ: se utiliza para ajustar cómo opera el secuenciador y para hacer ediciones detalladas en los datos de secuencia.
VOICE: establece si un sonido suena en modo monofónico, polifónico o unisónico.
V.PATCH: especifica el destino y la profundidad del efecto producido por el LFO, EG y otras fuentes de modulación.

MISC: se utiliza para cambiar otros parámetros de programa. Los operadores se pueden copiar en la página OP UTIL.
GLOBAL: se utiliza para configurar el instrumento a nivel general. Los ajustes que se hagan en este modo no se guardan en un programa, sino que se aplican a todos los programas. Cualquier cambio que haga se guardará automáticamente.

Consejo: En el Manual del usuario (PDF) encontrará más detalles sobre cada parámetro y más información sobre los parámetros de efectos.

Guardar un programa

Guarde cualquier programa que haya editado en el opsix SE. Cualquier edición que haga se perderá si apaga la alimentación del opsix SE o si selecciona un programa diferente antes de guardar los datos.

1. Pulse el botón WRITE [15].
El opsix SE entrará en el modo de espera para guardar programas y parpadearán los botones YES y NO.
2. Cambie el nombre del programa como sea necesario.
Mando PROGRAM [5]: cambia el carácter en la posición del cursor.
Botón SHIFT [16]: cambia el tipo de carácter que se va a introducir.
Botones PAGE < y > [7]: Mueven el cursor. Mantenga pulsado el botón SHIFT mientras pulsa el botón PAGE < para eliminar el carácter en la posición del cursor. Mantenga pulsado el botón SHIFT mientras pulsa el botón PAGE > para insertar un espacio en blanco en la posición del cursor.
Mando DATA ENTRY A-F [12]: Girar este mando hacia la izquierda o la derecha es lo mismo que pulsar los botones PAGE < y > en sucesión.
3. Pulse el botón YES para confirmar el nombre del programa.
4. Gire el mando PROGRAM para seleccionar la ubicación de programa donde vaya a guardar el sonido editado.
Seleccione un programa diferente si desea conservar el programa original.
Consejo: Pulse el botón NO para cancelar.
5. Pulse el botón YES para guardar el programa.
El programa se guardará y en la pantalla se mostrará el mensaje "Write Completed" (Programa guardado).
⚠ Nunca apague el equipo mientras se está guardando un programa. Si lo hace, se pueden dañar los datos internos.

Utilización del secuenciador por pasos

El opsix SE tiene un secuenciador polifónico que dispone de hasta 16 pasos. Los datos de secuencia del secuenciador por pasos se guardan en cada programa. Además de los datos de nota, también se pueden grabar y reproducir secuencias de movimientos (es decir, los cambios que se hacen en el sonido mediante los mandos o deslizantes del opsix SE).

Reproducción y grabación en el secuenciador por pasos

Aquí vamos a ver cómo se reproducen los datos de secuencia grabados para cada programa.

1. Pulse el botón PLAY [22].
Se reproducirán los datos de secuencia grabados para el programa seleccionado actualmente.
2. Pulse el botón REC cuando desee grabar lo que toque en el teclado.
El botón REC [23] se iluminará, y todas las notas que toque después se grabarán como datos de secuencia. Pulse otra vez el botón REC para terminar de grabar.
3. Para detener la reproducción de datos de secuencia, pulse otra vez el botón PLAY.

NOTA: Cualquier dato que grabe se perderá si apaga la alimentación del opsix SE o si selecciona un programa diferente antes de guardar los datos. → "Guardar un programa"

Grabación por pasos

1. Pulse el botón SEQUENCER/FAVORITES MODE [21] para seleccionar SEQUENCER.



2. Seleccione un programa, y a continuación pulse el botón REC.
El botón STEP 1 parpadeará.
3. Utilice los botones STEP 1-16 [26] para seleccionar los pasos que desee introducir.
Los botones STEP que seleccione parpadearán.

4. Pulse una o más teclas en el teclado al mismo tiempo para grabar una o más notas en el paso actual.
Pulse uno de los botones STEP 1-16 mientras mantiene pulsada una tecla para grabar una ligadura. La ligadura conectará la nota al paso que haya presionado.
5. Cuando se haya terminado de grabar el número de pasos establecido, la grabación por pasos finalizará automáticamente (el botón REC se apagará). Pulse el botón REC durante la grabación para pararla en cualquier momento.
6. Cuando haya terminado de grabar, guarde el programa.
Si selecciona otro programa antes de guardar el programa editado, se recuperarán los datos de secuencia del programa de nueva selección, y los datos de secuencia que haya grabado se perderán.
⚠ Al guardar un programa se sobrescribirán los datos de secuencia que haya en esa ubicación de programa.

Otras funciones

Restaurar el opsix SE a los ajustes predeterminados de fábrica

Para restaurar el opsix SE a su estado predeterminado de fábrica, encienda la alimentación mientras mantiene pulsados los botones SHIFT y WRITE/RECALL. Consulte el Manual del usuario (PDF) para más información.

- ⚠** Nunca apague la alimentación mientras se están cargando datos. Si lo hace, se pueden dañar los datos internos.

Especificaciones


Teclado: 61 teclas, teclado Natural Touch (sensible a la velocidad de pulsación y a la velocidad con que se sueltan, con aftertouch)

Polifonía máxima: 80 voces (el número máximo de voces depende de los ajustes)

Sistema de generación de sonido: Altered FM sound generator

Número de programas: 500

Jacks de entrada/salida: Auriculares (jack phone estéreo de 6,3 mm), OUTPUT L/MONO y R (jacks phone de 6,3 mm TRS de impedancia balanceada), DAMPER (jack phone de 6,3 mm, half-damper no admitido), conectores MIDI IN y OUT, puerto USB B

Alimentación: Adaptador de CA (DC12V, )

Consumo eléctrico: 5 W

Dimensiones (Anchura × Profundidad × Altura): 1014 × 344 × 108 mm

Peso: 8,6 kg

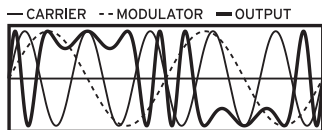
Elementos incluidos: Adaptador de CA, Guía de inicio rápido

Accesorios (se vende por separado): Pedal de resonancia DS-1H, Pedal conmutador PS-1, Pedal conmutador PS-3

* Las especificaciones y el aspecto están sujetos a cambio sin previo aviso por mejora.

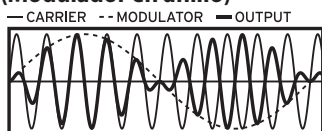
Modos de operador

FM



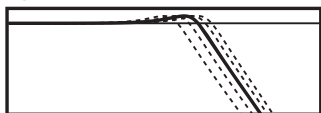
El tono de afinación de un oscilador se puede modular hacia arriba y hacia abajo rápidamente utilizando la señal de audio procedente del modulador para cambiar el carácter tonal.

RING MOD (Modulador en anillo)



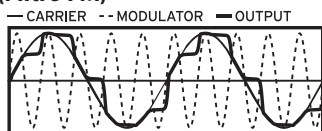
La entrada procedente del modulador se multiplica con la señal del oscilador para hacer cambios rápidos en el volumen del oscilador, que cambia el carácter tonal.

FILTER (Filtro)



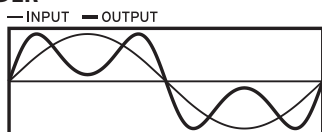
Este es un filtro con una función de "key tracking" (seguimiento de teclado). Las señales del oscilador y el modulador se introducen en el filtro.

FILTER FM (Filtro FM)



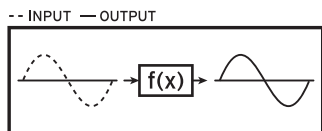
Esto crea un efecto de wah-wah de velocidad ultraalta. La frecuencia de corte se modula utilizando la entrada procedente del modulador, y la señal del oscilador se usa como entrada de audio para el filtro.

WAVE FOLDER



El circuito wavefolder genera armónicos invirtiendo la forma de onda de la señal del oscilador con un umbral fijo.

EFFECT



En este modo, el operador funciona como un efecto de tipo retardo, filtro de peine o distorsión. La señal del oscilador y la señal de entrada procedente del modulador se introducen en el efecto.

opsix SE

ALTERED FM SYNTHESIZER

入门指南

注意事项

使用场所

在以下地方使用本乐器将导致乐器故障：

- 阳光直接照射下
- 极端温度或湿度条件下
- 有过量灰尘、肮脏的地方
- 经常产生振动的地方
- 接近磁场的地方

电源

请将指定的交流电源适配器连接到电压正确的交流电插座上。不要将交流电变压器连接到非本乐器规定使用电压的交流电插座上。电源插头作为断开装置，应当保持能方便地操作。

与其他电器设备的干扰

摆放在附近的收音机和电视可能会受到干扰。使用本乐器时，请保持乐器与收音机和电视的适当距离。

操作

为了避免损坏，请不要过度用力操作开关或控制按钮。

保养

如果乐器表面有灰尘，用清洁的干布擦拭。不要使用如苯或稀释剂等液体清洗剂或易燃的上光剂。

保存本手册

通读本手册后，请保管好以便日后参考之用。

将异物远离本乐器

不要在本乐器附近放置盛放液体的容器。如果液体进入本乐器，将导致乐器损坏、燃烧或触电。注意不要使金属物体进入本乐器。一旦有金属物体滑入本乐器，从电源插座拔掉交流电源适配器，然后联系您最近的Korg经销商或本乐器购买的商店。

关闭电源并没有使本设备与电源完全断开，所以如果长时间不使用，或在清洁前，请将电源插头从插座中拔出。请确保主电源插头或连接器随时可用。

此设备应远离水滴或飞溅。不要将盛有液体的容器，如花瓶，放置在设备上。

将此设备安装在壁式插座附近，保持电源插头方便可用。

数据处理

不当操作或故障可能造成内存内容丢失，因此，我们建议您将重要数据保存到USB存储设备或其它媒体上。请注意，对于因数据丢失而导致的任何损失，Korg将不承担任何责任。

版权警告

- 本专业设备仅用于你自己拥有版权，已获得版权持有人许可公开演奏、录制、播放、销售和复制，或根据版权法构成“合理使用”活动的作品。如果你不是版权持有人，未经版权持有人许可，或没有对作品从事合理使用，你可能违反版权法，并可能承担损害的赔偿和处罚。KORG对于使用KORG产品所进行的任何侵权行为不承担任何责任。
- 内置于该产品中或包含在该产品中的内容不得提取、记录或以类似于其原始状态的形式存储，不得在互联网上公开或分发。该产品的内容（如声音程序、样式数据、伴奏模式、MIDI数据、PCM样本数据、音频数据、操作系统等）是KORG公司的受版权保护的财产，或是由KORG公司在第三方许可下使用的受版权保护的资料。您无需KORG公司许可，即可使用上述内容产生或执行音乐作品、或记录及分发这些的作品。

用户重要提示

本产品严格按照产品使用国家的生产标准和电压要求制造。

如果您通过网络、邮件或者电话销售购买本产品，您必须核实本产品是否适于在您所在的国家使用。

警告：在本产品适用国家之外的其他国家使用本产品极其危险，同时制造商和经销商将不再履行质量担保。

请妥善保管您的购买收据作为购买凭证，否则您的产品将不能享有制造商或经销商的质量担保。

* 所有产品名称及公司名称均为其各自所有者的商标或注册商标。

部件名称	有毒有害物质或元素					
	铅 (Pb)	汞 (Hg)	镉 (Cd)	六价铬 (Cr(VI))	多溴联苯 (PBB)	多溴二苯醚 (PBDE)
电路板	×	○	○	○	○	○
壳体	×	○	○	○	○	○
键盘	○	○	○	○	○	○
AC 转换器	×	○	○	○	○	○

○：表示该有毒有害物质或元素在该部件所有均质材料中的含量均在 GB/T 26572 标准规定的限量要求以下。

×：表示该有毒有害物质或元素至少在该部件的某一均质材料中的含量超出 GB/T 26572 标准规定的限量要求。



此标记适用于中华人民共和国销售的电子信息产品，标记中央的数字表示环境保护使用期限的年数。自制造日算起的此年月内，产品中的指定 6 物质不会向外部泄漏或发生突变，不会产生环境污染或者对人体或财产带来深刻的影响。此环境保护使用期限并不表示产品保证期限。

注意事项	30
简介	31
关于opsix SE手册	31
主要功能	31
关于opsix SE声音发生器	31
前面板	32
框图	33
后面板连接	33
连接交流转接头	33
其他连接	33
打开/关闭电源	33
开启 opsix SE	33
关闭 opsix SE	34
自动关机	34
播放opsix SE	34
播放程序	34
使用分析器	34
用琶音器演奏	34
编辑程序	34
用算子混音器编辑	34
简易程序编辑	34
随机编辑	34
详细编辑	34
保存程序	35
使用步进音序器	35
步进音序器回放和录制	35
步进录制	35
其他功能	35
将opsix SE恢复为出厂设置的默认设置	35
规格	35
OPERATOR MODE	36

感谢您购买Korg opsix SE改进调频合成器。为帮助你充分了解你的新设备，请仔细阅读这本说明书。本产品适用于音乐专业人员或音乐爱好者使用。

关于opsix SE手册

本产品文档包含以下内容：

- 入门指南（本文）

主要功能

- opsix SE配有调频声音发生器，通过使用其他振荡器快速调制其振荡器的基本波形，产生复杂谐波。
- 除了调频合成外，opsix SE还配有各种算子模式，如环形调制器、波形发生器等等，组合6种算子生成种类繁多的声音。
- 可使用算子混音器（带有滑块和旋钮）直接控制每种算子的参数。这对于直观编辑及演奏时进行动态声音更改非常有用。
- opsix SE包括丰富的过滤器选择，包括Polysix和MS-20型号，涵盖了产生类似减法合成声音的基础，
- 提供三种高清多音效，从30种类型中为每种音效进行选择。
- 可立即调用并保存500个程序。
- 强而有力的16步复音音序器。
- opsix SE配有频谱分析仪和示波器，使声音可视化。
- opsix SE配备具有触后感应功能的 61 键键盘。触后感应功能是一种会在您敲击琴键和在键盘上继续按下琴键时触发的效果。按住键盘的力度越大，效果就越强。触后感知通常用来控制音量、声音（截止频率）和 LFO 敏感性。

关于opsix SE声音发生器

上世纪70年代，斯坦福大学的John Chowning博士在做颤音实验时发现并确立了调频声音产生的原理。调频声音生成曾封装在大规模集成电路芯片中，由雅马哈投入实际使用。20世纪80年代初开始，调频音调生成曾用于雅马哈DX系列、所有制造商的个人电脑、游戏机和手机的内部声源。

• 算子(调制器、载波器)

调频(FM)声音发生器基于称为“算子”的合成元素。算子采用简单的输入波形(如正弦波)进行调制，输出具有复杂谐波的声音。算子包括调制器和载波器。从调制器输出的声音注入另一算子，并用于调制。载波器从调制器接收输出声音，并将调制结果作为音频输出。

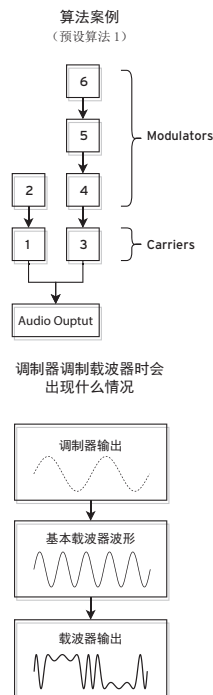
• 算法

调频声音发生器中算子角色和连接的组合称为“算法”。选择一种算法是生成声音的基础。opsix SE声音发生器包括六种算子，提供40多种预置算法，还可采用用户算法功能生成新的组合。

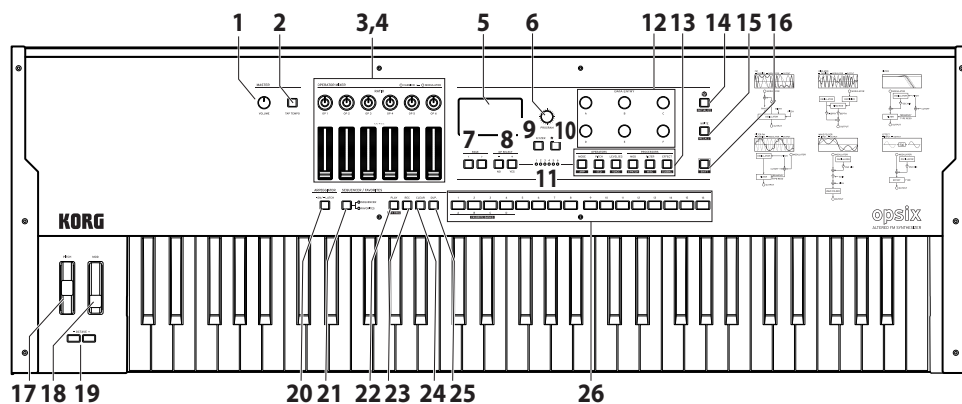
• 算子模式

尽管opsix SE的基础是调频声音发生器，可修改算子模式进行除调频外不同种类的调频。

环形调制器、过滤器和波形发生器的组合使生成新类型声音成为可能，超出了调频声音的范围。



前面板



1. VOLUME (音量) 旋钮

这个旋钮用于调整 AUDIO OUTPUT (音频输出) 插孔 (L/MONO, R) (左/单声道, 右) 和头戴式耳机插孔的音量。

2. TAP TEMPO (打拍定速) 按钮

在播放期间, 您可以按照想要的节奏轻击此按钮数次, 从而手动输入节奏 (打拍定速)。

3. RATIO OP (比率运算器) 旋钮 1-6

这些旋钮可更改各个运算器的音高。按住 SHIFT (切换) 按钮的同时旋转旋钮, 可更改运算器模式。

4. LEVEL OP (层次运算器) 滑块 1-6

这些滑块可更改各个运算器的输出层次。按住 SHIFT (切换) 按钮的同时拖动滑块可更改振荡器波形。

5. 显示屏

此屏幕可显示多种信息, 例如程序数据和参数值。

6. PROGRAM (程序) 旋钮

选中程序。

7. PAGE (页面) < 和 > 按钮

使用 < 和 > 按钮在编辑页面之间来回切换。这些按钮将在页面指南显示在显示屏上时启用。

8. OP SELECT (运算器选择) +/- 按钮和 YES/NO (是/否) 按钮

使用这些按钮来选择要编辑的振荡器。这些按钮也可用于在列表中或在保存程序时选择 (YES) 或取消 (NO) 项目。

9. ANALYZER (分析器) 按钮

将显示屏切换至频谱分析器和示波器。

10. HOME (ALGO) 按钮

显示 HOME/ALGO 页面。

11. 运算器选择 LED 指示灯

显示运算器编辑页面 (MODE、PITCH、LEVEL) 时, 已选中的运算器将会亮灯。

12. DATA ENTRY (数据输入) 旋钮 A-F

这些旋钮可更改显示屏上显示的参数值。旋转旋钮时按住 SHIFT (切换) 按钮可对值进行微调。

13. EDIT SELECT (编辑选择) 按钮

这些旋钮可更改显示屏上显示的编辑页面。按住 SHIFT (切换) 按钮时按下此按钮, 可显示按钮下方显示的页面。

14. RANDOMIZE (随机化) 按钮

按下此按钮可开始随机化编辑。在按下此按钮时按住 SHIFT (切换) 按钮, 可初始化程序。

15. WRITE (写入) 按钮

为已编辑的程序保存设置。在按下此按钮时按住 SHIFT (切换) 按钮, 可将编辑中的程序的设置切换至已保存状态。

16. SHIFT (切换) 按钮

您可以使用此按钮访问旋钮和按钮的扩展功能。此外, 在按下 SHIFT (切换) 按钮一段时间后, 显示屏上将标明各个所显示参数的当前值。双击 SHIFT (切换) 按钮可保持 SHIFT 状态。再按一次 SHIFT (切换) 可取消保持状态。

17. PITCH (音高) 调节轮

控制声音的音高。

18. MODULATION (调制) 调节轮

此调节轮通常用来控制截止频率或颤音深度。您也可以更改调节轮要控制的参数。

19. OCTAVE (八度高音) 按钮

这些按钮会使用一个八度的跨度, 在两个八度的范围内向上或向下切换分配至键盘的音符音域。

20. ARPEGGIATOR (琶音器) 按钮

切换琶音器的开启/关闭状态。按下可开启/关闭琶音器锁存器功能。

21. SEQUENCER/FAVORITES (音序器/收藏) 按钮

选择 STEP (步骤) 按钮 1-16 要使用的功能。在选中 SEQUENCER (音序器) 时, 这些按钮将充当步进音序器步骤按钮。在选中 FAVORITE (收藏) 时, 您可以将喜欢的程序分配到 STEP (步进) 按钮 1-16 上, 并可立即重新调用它们。

22. PLAY (播放) 按钮

使用此按钮可开始或停止步进音序器的播放。切换至播放状态时, 音序器会始终重置为第一步。按住 SHIFT (切换) 按钮的同时, 按下 PLAY (播放) 按钮可设置按键触发模式。要将按键触发设置为锁序, 请长按 PLAY (播放) 按钮, 同时按下 SHIFT (切换) 按钮。

23. REC (录制) 按钮

进入步进音序器录制模式。音序器停止后, 此按钮会开始步进录音; 当音序器开始重放时, 则会开始实时录音。

24. CLEAR (清除) 按钮

步进音序器正在重放时, 按下此按钮会将音序静音。在实时录音时按下此按钮将会删除按下时播放的音符。在其他情况下, 您可以按住此按钮并使用 STEP (步进) 按钮 1-16 按下想要删除的步进。

25. DUP (复制) 按钮

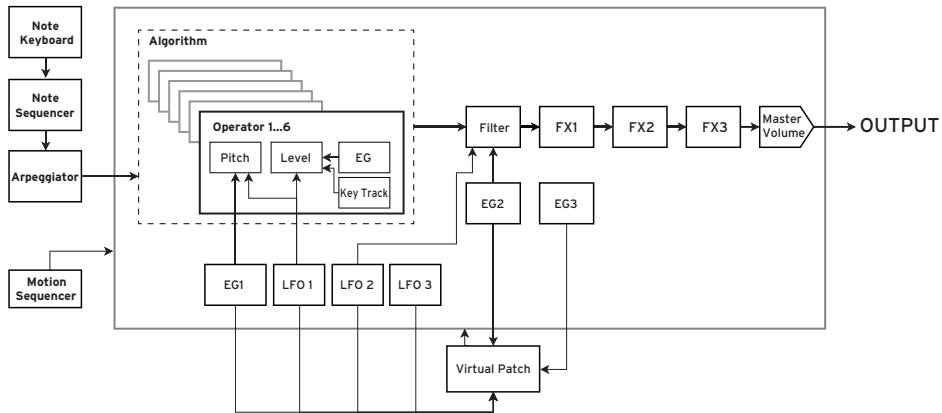
要将选中的步进复制到其他步进, 请按住此按钮并使用 STEP (步进) 按钮 1-16 来按下复制来源和目标步进。

26. STEP (步进) 按钮 1-16

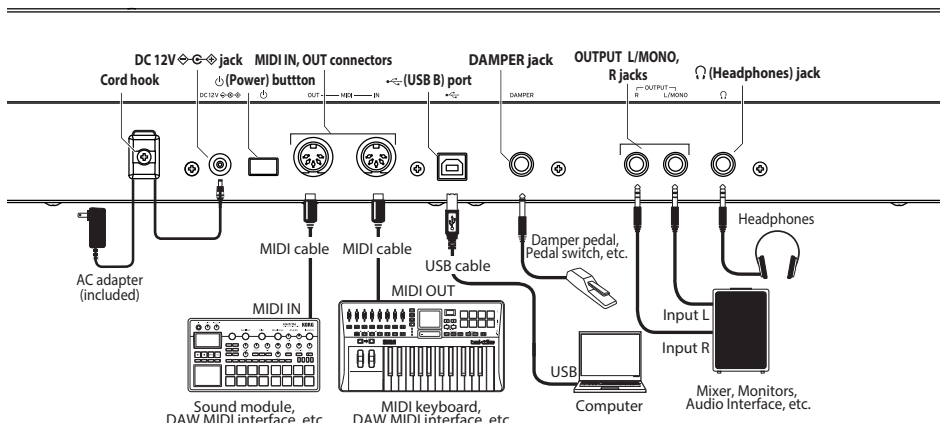
如果您在选中 SEQUENCER (音序器) 时按下 SEQUENCER/FAVORITES (音序器/收藏) 按钮, 您可以在步进音序器中开启/关闭步进、编辑音序器数据或选择显示的步进。

如果选中了 FAVORITES (收藏), 您可以使用 STEP (步进) 按钮 1-16 来重新调用已注册的程序。

框图



后面板连接



连接交流转接头

1. 将随附的 **交流转接头** 的 DC 插头连接至背面的 **DC 12V 插孔** opsix SE 的面板。
 - ⚠ 确保仅使用随附的交流转接头。使用其他交流转接头可能会引起故障。
2. 连接 DC 插头后，将交流转接头线缠绕到 **电缆挂钩** 上。
 - ⚠ 从电缆挂钩上拉出电线时，请勿过分用力。这样做可能会损坏插头。
3. 将交流转接头的插头连接至交流电源插座。
 - ⚠ 确保为交流转接头使用正确电压的交流电源插座。

其他连接

根据您的音频系统连接 opsix SE。

- ⚠ 在进行连接之前，请确保关闭所有设备的电源。进行连接时，保持通电可能会导致故障或损坏扬声器系统和其他组件。
- ⚠ 对于以下端子，请使用 3 米或更短的线缆，以防止故障。
 - 🎧 (耳机) 插孔、DAMPER 插孔、USB-B 端口

OUTPUT L/MONO, R 插孔: 将这些 TRS 插孔连接到调音台、音频接口、监听系统等。使用 VOLUME 旋钮调节音量。

🎧 (耳机) 插孔: 在此处连接耳机。它传输与 OUTPUT L/MONO 和 R 相同的信号。

DAMPER 插孔: 连接 Korg DS-1H 弱音踏板或 PS-1/PS-3 踏板开关 (单独出售) 控制阻尼器功能。自动检测踏板极性; 为此, 请确保在连接或打开电源时不踩下踏板。

MIDI IN, OUT 接头: 使用这些接头将 opsix SE 连接到外部 MIDI 设备以交换 MIDI 信息。确保正确设置了 MIDI 通道。

USB B 端口: 将其连接到计算机以交换 MIDI 信息和数据。

打开 / 关闭电源

开启 opsix SE

确保同时关闭 opsix SE 和任何放大设备 (例如有源监听扬声器), 并将所有设备的音量关到最小。

1. 按住后面板的 (电源) 开关。显示屏上出现 《opsix》 徽标后, 松开 (电源) 开关。
2. 打开任何 放大 设备, 例如有源监听扬声器, 然后调节其音量。使用 VOLUME 旋钮调节 opsix SE 的音量。

关闭 opsix SE

1. 降低有源监视器或其他放大设备的音量，然后将其关闭。
2. 按住 opsix SE 的 ⏻ (电源) 开关，直到显示屏显示《Shutting down》，然后释放 ⏻ (电源) 开关。

自动关机

默认情况下不使用前面板、琴键或MIDI输入时，opsix SE将在大约四个小时后自动关闭。

播放 opsix SE

播放程序

1. 旋转PROGRAM (程序) 旋钮[6]选择一个程序。



2. 演奏键盘检查音色。
3. 确认该程序为已选程序，按YES (是) 按钮[8]。
取消该选择并返回到前一程序，按NO (否) 按钮[8]。
4. 如需改变键盘音调范围，按OCTAVE (八度音) 按钮[7]。此项以一个八度的音增量更改键盘音调范围。
5. 采用PITCH wheel (音轮) [17]改变高音。MOD wheel (调制轮) [18]主要用于改变截止频率和颤音深度，还可更改由MOD wheel (调制轮) [18]所控制的参数。

使用分析器

按ANALYZER (分析器) 按钮[9]可在显示器[5]上显示合成器音频输出的实时分析。此按钮在频谱分析仪、示波器和之前显示的页面之间切换。

用琶音器演奏

1. 按ARPEGGIATOR (琶音器) 按钮[20]。“Arpeggiator=On” (琶音器=打开) 会出现在显示器中。
2. 演奏键盘时会使用该程序中模式。
3. 再按ARPEGGIATOR (琶音器) 按钮[20]一次，则关闭琶音器。“Arpeggiator=Off” (琶音器=关闭) 会出现在显示器中。
4. 持续按ARPEGGIATOR (琶音器) 按钮[20]，“Arpeggiator=Latch” (琶音器=锁定) 会出现在显示屏中，并启用锁定功能。即使手从键盘移开，琶音器仍会继续演奏。再次按住ARPEGGIATOR (琶音器) 按钮[20]则禁用锁定功能。

编辑程序

用算子混音器编辑


OPERATOR MIXER (算子混音器) 中可采用RATIO OP 1-6 (比率算子1-6) 旋钮[3]为每个算子编辑高音 (RATIO (比率)) 参数，并采用LEVEL OP 1-6 (电平算子1-6) 滑块[4]编辑输出电平。

1. 旋转PROGRAM (程序) 旋钮[6]选择一个程序进行编辑。

2. 使用RATIO OP 1-6 (比率算子1-6) 旋钮[3]及算子混音器的LEVEL OP 1-6 (电平算子1-6) 滑块[4]。
根据正在编辑的算子是载波器 (比率旋钮LED将亮起红色) 还是调制器 (比率旋钮LED将亮起蓝色)，音效果会发生变化。RATIO (比率) 旋钮[3]: 改变每个算子的高音。主要是载波器的音调变化，及调制器的声音亮度或谐波位置变化。提高调制器的高音会加重出色的谐波，是调频音调发生器的特点。LEVEL (电平) 滑块[4]: 改变每个算子的输出电平。主要是载波器的音量变化，及调制器的声音亮度或谐波强度变化。载波器处于调频模式下且调制器输出电平大大调高时，可得到严重失真的声音，就像失真的吉他。

简易程序编辑

除了HOME/ALGO (主页/ALGO) 页面中的算子以外，还可编辑主参数。

1. 按 **HOME/ALGO** 按钮 [10] 显示 HOME/ALGO (主页/ALGO) 页面。

2. 采用DATA ENTRY A-F (数据输入A-F) 旋钮 [12] 改变显示器上显示的参数值。
ALGO: 从预设或用户算法选择可确定算子1-6结构的算法。
ATK: 为所有算子设置电平增高时间 (音符能多快速地开始)。
衰减: 为所有算子设置衰减/释放时间 (音符能多快速地衰减)。
FX1-3: 虽然该方式起作用要取决于设置的音效类型，但这主要更改音效的深度。

随机编辑

此方式设置已选范围内当前程序参数为随机值。

生成声音时用该方式找到新的灵感。

1. 按 **RANDOM** 按钮 [14] 显示随机页面。
2. 选择参数范围进行随机计算。用DATA ENTRY A (数据输入A) 旋钮改变SCOPE (范围) 参数。默认选择程序，意指随机化所有程序参数。
3. 按YES (是) 按钮[8]显示确认消息。
4. 再次按YES (是) 按钮[8]进行随机化。

详细编辑

可按如下方式进行详细编辑。

1. 按MODE (模式) 和EFFECT (效果) 按钮之间所需的PAGE SELECT (页面选择) 按钮[13]显示相应的页面。要显示按钮下方所示的其中一个二级页面，请按SHIFT按钮[16]并选择所需页面。
2. 有时屏幕左侧会表明有多个子页面，可采用PAGE (页面) < 和 > 按钮[7]循环各子页面。
3. 在MODE (模式)、PITCH (高音) 和LEVEL (电平) 页面上可为每个算子编辑参数。用OP SELECT + 和 - (算子选择+和-) 按钮[8]选择算子进行编辑。



采用OP SELECT + 和 - (算子选择+和-) 按钮选择算子进行编辑。

4. 采用DATA ENTRY A-F (数据输入A-F) [12]改变参数。

每个页面可编辑参数显示如下:

MODE (模式): 为算子1-6改变算子模式和输出波形。

PITCH(高音): 从LFO/EG改变算子1-6高音及高音调制。

LEVEL/EG (电平/EG): 为算子1-6设置输出电平、EG和键跟踪。

MOD (调制): 配置LFO 1-3 和 EG 1-3。

FILTER (过滤器): 设置用于算子1-6的综合过滤器。

EFFECT(音效): 用于选择音效类型或对音效进行详细编辑。

ARP: 配置琶音器。

SEQ(音序): 用于设置音序器如何运作及对音序数据进行详细编辑。

VOICE (声音): 设置声音是以单声道、多声道还是同音模式播放。

V. PATCH: 指定LFO、EG和其他调制源产生音效的目的地和深度。

MISC: 用于改变其他程序参数。可复制OP UTIL页面的算子。

Global (全局): 用于配置整个设备。该模式下所做的设置未保存到某一程序,但可应用于所有程序。所做的任何改变可自动保存。

保存程序

保存程序到已编辑的opsix SE。

如果您关闭opsix SE电源或保存数据前选择了不同程序,您所作的任何编辑都会丢失。

1. 按WRITE (写入) 按钮 [15]。

opsix SE将进入写入程序保存待机模式,同时YES(是)和NO(否)按钮会闪烁。

2. 根据需要改变程序名。

PROGRAM (程序) 旋钮 [5]: 在光标位置改变该字符。

SHIFT 按钮 [16]: 改变要输入的字符类型。

PAGE (页面) < 和 > 按钮 [7]: 移动光标。按 PAGE (页面) < 时持续按SHIFT按钮,删除光标位置的字符。PAGE (页面) < 时持续按SHIFT按钮,在光标位置插入空格。

DATA ENTRY A-F (数据输入A-F) [12]: 左右旋转旋钮等同于连接PAGE (页面) < 和 > 按钮。

3. 按YES (是) 按钮确认程序名。

4. 转到PROGRAM (程序) 旋钮选择已编辑声音的程序位置。如要保留原始程序,选择不同的程序。

提示: 按NO (否) 按钮取消。

5. 按YES (是) 按钮保存程序。

保存程序并在显示器中显示消息“程序已保存”。

▲ 保存程序期间切勿关闭电源,如关闭电源,可能损坏内部数据。

使用步进音序器

opsix SE有多音音序器,具有16个步进。步进音序器的音序数据保存在每个程序中。除了音符数据外还可录制和回放运动音序(这些是使用opsix SE上旋钮或滑块对声音进行的更改)。

步进音序器回放和录制

可播放每个程序录制的音序数据。

1. 按PLAY (播放) 按钮 [22]。

为选定程序录制的音序数据开始播放。

2. 要录制键盘上播放内容时,请按REC按钮。

REC按钮[23]将亮起,您随后播放的所有音符将被记录为音序数据。再按REC按钮结束录音。

3. 如要停止音序数据播放,可再次按PLAY(播放)按钮。

注: 如果保存数据前您关闭opsix SE电源或选择了不同程序,您录制的任何数据都会丢失。→ “保存程序”

步进录制

1. 按SEQ STEPS/FAVORITE MODE (音序步进/喜好模式) 按钮[21]选择SEQ STEPS (音序步进)。



2. 选择一个程序,然后按REC (录音) 按钮。

STEP 1(步进1)按钮闪烁。

3. 用STEP 1-16 (步进1-16) 按钮[26]选择要输入的步进。

所选的STEP (步进) 按钮会闪烁。

4. 同时按键盘上的一个或多个键可在当前步进录制一个或多个音符。

在按住一个琴键的同时按下STEP 1-16其中一个按钮录制连接符,连接符合连接按下步进的音符。

5. 当设定步阶数完成录制后,步阶录制将自动结束 (REC (录音) 按钮转暗)。

在录制过程中按 REC (录音) 按钮将中途停止录音。

6. 完成录制后,保存程序。

如果你在保存已编辑程序前选择了另一个程序,新选择的程序音序数据将被调出,你之前录制的音序数据就会丢失。

▲ 保存程序会重写该程序位置的音序数据。

其他功能

将opsix SE恢复为出厂设置的默认设置

要将opsix SE恢复到出厂默认状态,请在按住SHIFT和WRITE/RECALL按钮的同时接通电源。

▲ 数据加载期间切勿关闭电源。这么做的话可能会损坏内部数据。

规格

键盘: 61 键自然触感键盘(对力度和释放力度敏感,带触后感应)

最大复音数: 80种声音(语音的最大数量取决于设置)

发声系统: Altered FM sound generator

程序数: 500

输入/输出: 耳机 (6.3mm 立体声迷你电话插孔), OUTPUT L/MONO 和 R (阻抗平衡 6.3mm TRS 电话插孔), DAMPER (6.3mm 电话插孔,不支持半踏), MIDI IN 和 OUT 接头, USB B 端口

电源供应: AC适配器 (DC12V, )

外型尺寸 (宽×深×高): 1014 × 344 × 108mm

重量: 8.6kg

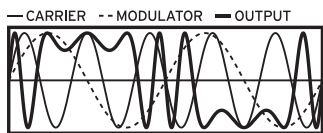
内含物品: AC适配器,入门指南

附件 (另售): DS-1H 延音踏板, PS-1 踏板开关, PS-3 踏板开关

* 规格和外观如有改良,恕不另行通知。

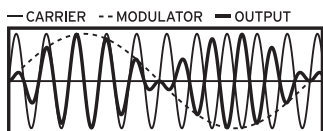
OPERATOR MODE

FM



利用来自调制器的音频信号来改变音调特性可快速上下移动（调制）振荡器的音调。

RING MOD



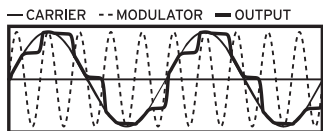
来自调制器的输入与振荡器信号相乘，快速改变振荡器音量，从而改变音调特征。

FILTER



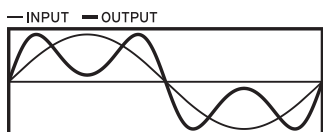
此为配有音键追踪功能的过滤器，振荡器和调制器发出的信号输入该过滤器。

FILTER FM



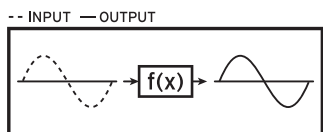
可生成超高速wah音效，截止频率采用调制器发出的输入调制，振荡器信号用作滤波器的音频输入。

WAVE FOLDER



波形发生器电路通过固定阈值处反转振荡器信号的波形产生谐波。

EFFECT



在此模式下，运算器会产生类似于延迟、梳状滤波或失真的效果。来自振荡器的信号和来自调制器的输入信号会被输入到效果中。

opsix SE

ALTERED FM SYNTHESIZER

クイック・スタート・ガイド

目次

安全上のご注意	37
はじめに	38
取扱説明書について	38
主な特長	38
opsix SEの音源について	38
各部の名称と機能	39
ブロック図	40
接続	40
ACアダプターの接続	40
その他の接続	40
電源のオン、オフ	40
電源をオンにする	40
電源をオフにする	40
オート・パワー・オフ	40
演奏する	41
プログラムを演奏する	41
アナライザーを使用する	41
アルペジエーターで演奏する	41
プログラム・エディット	41
オペレーター・ミキサーでエディットする	41
イーザー・プログラム・エディット	41
ランダムイズ・エディット	41
詳細エディット	41
プログラムの保存	42
ステップ・シーケンサーを使う	42
ステップ・シーケンサーを再生、録音する	42
ステップ・レコーディング	42
その他	42
工場出荷時の状態に戻す	42
仕様	42
オペレーター・モード	43




安全上のご注意

ご使用になる前に必ずお読みください

ここに記載した注意事項は、製品を安全に正しくご使用いただき、あなたや他の方々への危害や損害を未然に防ぐためのものです。注意事項は誤った取り扱いで生じる危害や損害の大きさ、または切迫の程度によって、内容を「警告」、「注意」の2つに分けています。これらは、あなたや他の方々の安全や機器の保全に関わる重要な内容ですので、よく理解した上で必ずお守りください。

火災・感電・人身障害の危険を防止するには

図記号の例

	△記号は、注意(危険、警告を含む)を示しています。記号の中には、具体的な注意内容が描かれています。左の図は「一般的な注意、警告、危険」を表しています。
	⊘記号は、禁止(してはいけないこと)を示しています。記号の中には、具体的な注意内容が描かれることがあります。左の図は「分解禁止」を表しています。
	●記号は、強制(必ず行うこと)を示しています。記号の中には、具体的な注意内容が描かれることがあります。左の図は「電源プラグをコンセントから抜くこと」を表しています。

以下の指示を守ってください

警告

この注意事項を無視した取り扱いをすると、死亡や重傷を負う可能性があります。

- ACアダプターのプラグは、必ずAC100Vの電源コンセントに差し込む。
 - ACアダプターのプラグにはほこりが付着している場合は、ほこりを拭き取る。感電やショート恐れがあります。
 - 本製品はコンセントの近くに設置し、ACアダプターのプラグが容易に手が届くようにする。
- 次のような場合には、直ちに電源を切ってACアダプターのプラグをコンセントから抜く。
 - ACアダプターが破損したとき
 - 異物が内部に入ったとき
 - 製品に異常や故障が生じたとき修理が必要なときは、お客様相談窓口へ依頼してください。
- ⊘ 本製品を分解したり改造したりしない。
- ⊘ 修理、部品の交換などで、取扱説明書に書かれてること以外は絶対にしない。
- ACアダプターのコードを無理に曲げたり、発熱する機器に近づけない。また、ACアダプターのコードの上に重いものをのせない。コードが破損し、感電や火災の原因になります。
- 大音量や不快な程度の音量で長時間使用しない。大音量で長時間使用すると、難聴になる可能性があります。万一、聴力低下や耳鳴りを感じたら、専門の医師に相談してください。
- 本製品に異物(燃えやすいもの、硬貨、針金など)を入れない。
- 温度が極端に高い場所(直射日光の当たる場所、暖房機器の近く、発熱する機器の上など)で使用や保管をしない。
- 振動の多い場所で使用や保管をしない。
- ホコリの多い場所で使用や保管をしない。
- ⊘ 風呂場、シャワー室で使用や保管をしない。
- ⊘ 雨天時の野外のように、湿気が多い場所や水滴のかかる場所で、使用や保管をしない。
- 本製品の上に、花瓶のような液体が入ったものを置かない。
- 本製品に液体をこぼさない。
- 濡れた手で本製品を使用しない。

注意

この注意事項を無視した取り扱いをすると、傷害を負う可能性または物理的損害が発生する可能性があります。

- 正常な通気が妨げられない所に設置して使用する。
 - ラジオ、テレビ、電子機器などから十分に離して使用する。ラジオやテレビ等に接近して使用すると、本製品が雑音を受けて誤動作する場合があります。また、ラジオ、テレビ等に雑音が入ることがあります。
 - 外装のお手入れは、乾いた柔らかい布を使って軽く拭く。
- ACアダプターをコンセントから抜き差しするときは、必ずプラグを持つ。
- 長時間使用しないときは、ACアダプターをコンセントから抜く。
- ⊘ 付属のACアダプターは、他の電気機器で使用しない。付属のACアダプターは本製品専用です。他の機器では使用できません。
- 指定のACアダプター以外は使用しない。
- 他の電気機器の電源コードと一緒にタコ足配線をしない。本製品の定格消費電力に合ったコンセントに接続してください。

- ・スイッチやツマミなどに必要以上の力を加えない。
故障の原因になります。
- ・外装のお手入れに、ベンジンやシンナー系の液体、コンパウンド質、可燃性のポリッシャーを使用しない。
- ・不安定な場所に置かない。
本製品が落下してお客様がけがをしたり、本製品が破損したりする恐れがあります。
- ・本製品の上に乗ったり、重いものをのせたりしない。
本製品が落下または損傷してお客様がけがをしたり、本製品が破損したりする恐れがあります。

データについて

操作ミス等により万一異常な動作をしたときに、メモリー内容が消えてしまうことがあります。大切なデータは、あらかじめUSBメモリーや他のメディア等へセーブしておいてください。データの消失による損害については、当社は一切の責任を負いかねますのでご了承ください。

著作権について

- ・著作権者から許諾を得ていない著作物を、個人、家庭内、またはその他のこれに準ずる限られた範囲以外で使用した場合、著作権侵害となり、損害賠償を含む補償を負う場合があります。
そのような著作物を録音したのももちろん、著作物に手を加えて作られたものにも、著作権者の権利が含まれています。これら成果物の転載、配布などは、著作権侵害となります。
著作権侵害によって発生した損害賠償などは、当社は一切の責任を負いかねます。
- ・本製品に内蔵もしくは同梱されたコンテンツそのものを取り出し、または酷似した形態で記録もしくは録音して、配布やインターネット上で公開することは許されていません。
本製品のコンテンツ(音色プログラム、スタイル・データ、伴奏パターン、MIDIデータ、PCMサンプル・データ、オーディオ・データ、オペレーティング・システムなど)の著作権は株式会社コルグに有するか、または株式会社コルグが第三者から使用許諾を受けている著作物です。
上記コンテンツを使用して、作品を制作または演奏し、それらを録音、配布することについては、当社の許諾を必要としません。

* すべての製品名および会社名は、各社の商標または登録商標です。

はじめに

このたびは、コルグ・オルタードFMシンセサイザー opsix SE(オブシック ス・エスイー)をお買い上げいただきまして、まことにありがとうございます。本製品を末永くご愛用いただくためにも、取扱説明書をよくお読みになって、正しい方法でご使用ください。

取扱説明書について

opsixの取扱説明書は以下のように構成されています。

- ・クイック・スタート・ガイド(本書)
- ・取扱説明書(PDF、www.korg.comからダウンロードしてください)

主な特長

- ・オシレーターの基本波形を別のオシレーターで高速変調することで、複雑な倍音を生み出すFM音源を搭載しています。
- ・FMに加え、リング・モジュレーター、ウェーブ・フォルダー、エフェクトなど、さまざまなオペレーター・モードを搭載しており、6基のオペレーターの組み合わせで幅広い音作りが可能です。
- ・オペレーター・ミキサー(スライダー、ノブ)で、各オペレーターのパラメーターを直接コントロールすることができます。直感的なエディットや、演奏中のダイナミックな音色変化に有効です。
- ・Polysix、MS-20モデルをはじめとした豊富なフィルターを搭載し、減算方式シンセのような音創りもカバーします。
- ・高品位なマルチ・エフェクトを3基搭載しており、それぞれ30タイプから選択できます。
- ・500のプログラムを瞬時に呼び出し、それらを保存することが可能です。
- ・強力な16ステップ、ポリフォニック・シーケンサーを搭載しています。
- ・スペクトラム・アナライザーとオシロスコープの機能を搭載し、パラメーターによる変化を視覚的にディスプレイに表示します。
- ・opsix SEは、61鍵アフタータッチ付き鍵盤を採用しています。アフタータッチは、鍵盤を打鍵した後に、さらに鍵盤を押し込む強さによって効果をかけます。通常は音量、音色(カットオフ周波数)、LFOの感度をコントロールするために使用します。

opsix SEの音源について

FM音源の原理は、1970年代に、スタンフォード大学でDr. John Chowning氏によってピブラートの実験中に発見、確立されました。その後ヤマハ株式会社によりLSIチップとして実用化され、1980年代初頭から、ヤマハDXシリーズをはじめ、各社のPC、ゲーム機、携帯電話の内蔵音源など幅広く世の中で使われるようになりました。

- ・オペレーター (モジュレーター、キャリア)

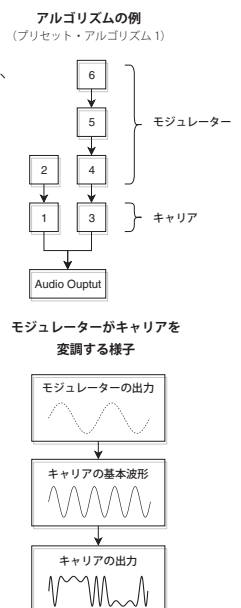
FM(周波数変調)音源は、オペレーターと呼ばれる基本要素によって構成されます。オペレーターは、サイン波などのシンプルな波形を入力音によって変調し、複雑な倍音をもった音を出力します。オペレーターの役割にはモジュレーターとキャリアがあり、モジュレーターの出力音は他のオペレーターに入力されて、変調のために使われます。キャリアはモジュレーターからの出力音を受けて、変調した結果をオーディオとして出力します。

- ・アルゴリズム

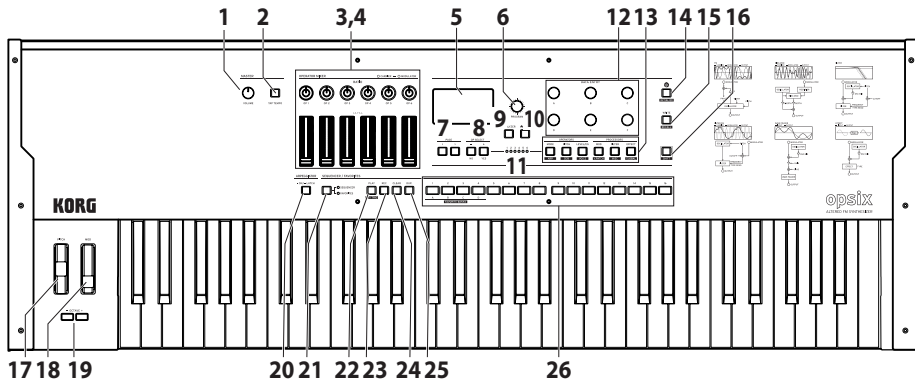
FM音源では、オペレーターの役割と接続の組み合わせをアルゴリズムといい、アルゴリズムを選ぶことが音作りの基礎になっています。opsix SEの音源は6つのオペレーターを持っており、40のプリセット・アルゴリズムが用意されています。ユーザー・アルゴリズム機能により新たな組み合わせを作ることができます。

- ・オペレーター・モード

opsix SEはFM音源を基本としながらも、オペレーター・モードを変更してFM以外の変調を行うことができます。リング・モジュレーター、フィルター、ウェーブ・フォルダーとの組み合わせは、典型的なFMサウンドのレンジを超えた、新しい音作りの可能性をもたらします。

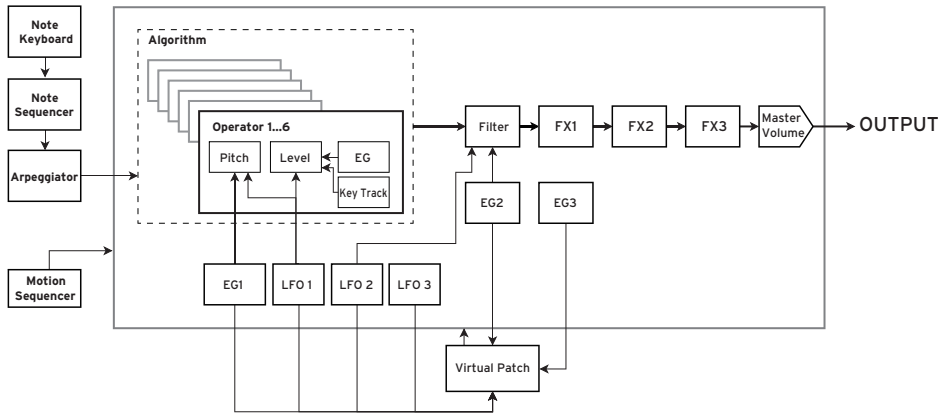


各部の名称と機能

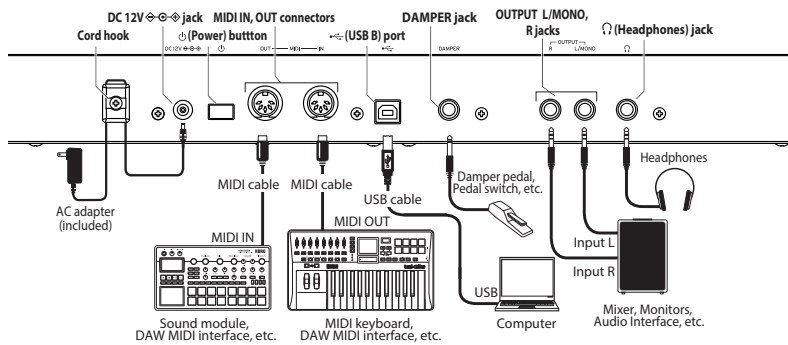


1. **VOLUMEノブ**
AUDIO OUTPUT端子(L/MONO、R)とヘッドホン端子から出力する音量を調節します。
2. **TAP TEMPOボタン**
アルペジエーターやステップ・シーケンサーの演奏テンポを設定します。演奏曲等にに合わせて、ボタンを数回押すことによって、演奏テンポを設定できます。
3. **RATIO OP 1~6ノブ**
各オペレーターのパッチを変更します。SHIFTボタンを押しながら操作すると、オペレーター・モードを変更します。
4. **LEVEL OP 1~6スライダー**
各オペレーターの出力レベルを変更します。SHIFTボタンを押しながら操作すると、オシレーター波形を変更します。
5. **ディスプレイ**
プログラムの情報や、パラメーターの値など様々な情報を表示します。
6. **PROGRAMノブ**
プログラムを選択します。
7. **PAGE <、> ボタン**
エディットするページを<、>ボタンで切り替えます。ディスプレイのページ・ガイドが表示されているときに有効です。
8. **OP SELECT +、-ボタン、YES、NOボタン**
エディットするオペレーターを選択するときに使用します。また、プログラムの保存やリストからの選択を確定(YES)/キャンセル(NO)するときにも使用します。
9. **ANALYZERボタン**
ディスプレイの表示をスペクトラム・アナライザー、オシロスコープに切り替えます。
10. **HOME/ALGOボタン**
HOME/ALGOページを表示します。
11. **オペレーター・セレクトLED**
オペレーターのエディット・ページ(MODE、PITCH、LEVEL)を表示しているときに、選択中のオペレーターが点灯します。
12. **DATA ENTRY A~Fノブ**
ディスプレイに表示されているパラメーターの値を変更します。SHIFTボタンを押しながらノブを操作すると、値を細かく変更することができます。
13. **EDIT SELECTボタン**
ディスプレイに表示するエディット・ページを変更します。SHIFTボタンを押しながら、このボタンを押すと、ボタンの下側に表示されているページを表示します。
14. **(Randomize)ボタン**
ランダム化・エディットを開始します。SHIFTボタンを押しながら、このボタンを押すと、プログラムが初期化されます。
15. **WRITEボタン**
エディットしたプログラムの設定を保存します。SHIFTを押しながら押すと、エディット中のプログラムを、保存されている設定に戻します。
16. **SHIFTボタン**
ノブやボタンを持つ拡張機能を使用します。また、押してから一定時間、表示中の各パラメーターの現在値をディスプレイに表示します。SHIFTボタンをダブルクリックすると、SHIFTボタンをホールドできます。もう一度押すとホールドは解除されます。
17. **PITCHホイール**
音のピッチ(音の高さ)をコントロールします。
18. **MODULATIONホイール**
主にカットオフ周波数やビブラートの深さをコントロールします。コントロールするパラメーターは変更することができます。
19. **OCTAVEボタン**
鍵盤に割り当てられている音域を、オクターブ単位に±4オクターブの範囲で変更します。
20. **ARPEGIATORボタン**
アルペジエーターのオン、オフを切り替えます。長押しすると、アルペジエーターのラッチ機能がオン、オフします。
21. **SEQUENCER/FAVORITESボタン**
STEP 1~16ボタンの機能を選択します。SEQUENCERを選択しているときは、ステップ・シーケンサーのステップ・ボタンになります。FAVORITEを選択すると、STEP1~16のボタンに好みのプログラムを設定しておき、すぐに呼び出せるようになります。
22. **PLAYボタン**
ステップ・シーケンサーを再生、停止します。再生に切り替わる際は、必ず最初のステップにリセットされます。SHIFTボタンを押しながらPLAYボタンを押すと、キー・トリガー・モードに設定します。SHIFTボタンを押しながらPLAYボタンを長押しすると、キー・トリガー・モードのラッチ機能が有効になります。
23. **RECボタン**
ステップ・シーケンサーの録音モードに入ります。停止中はステップ・レコーディングが、再生中はリアルタイム・レコーディングが行なえます。
24. **CLEARボタン**
ステップ・シーケンサーが再生中は、このボタンを押している間はシーケンスをミュートします。リアルタイム・レコーディングでは、ボタンを押している間に再生されるノートを削除します。これら以外は、このボタンを押しながらSTEP1~16ボタンで削除したいステップを選ぶと、選択したステップが削除されます。
25. **DUP.ボタン**
このボタンを押しながらSTEP1~16でコピー元とコピー先のステップを選ぶと、選択したステップをコピーします。
26. **STEP 1~16ボタン**
SEQUENCER/FAVORITESボタンでSEQUENCERを選択中は、ステップ・シーケンサーのステップのオン、オフを切り替えたり、エディットや表示するステップを選択したりします。FAVORITESを選択中は、STEP 1~16ボタンに登録したプログラムを呼び出します。

ブロック図



接続



ACアダプターの接続

- 付属のACアダプターのDCプラグを、リア・パネルのDC 12V端子に接続します。
 - 必ず付属のACアダプターを使用してください。他のACアダプターを使用した場合、故障などの原因となる恐れがあります。
- DCプラグを接続した後、ACアダプターのコードをコード・フックに引っかけます。
 - コード・フックからコードを外すときは、無理に引っ張らないでください。プラグが破損する恐れがあります。
- ACアダプターのプラグをコンセントに接続します。
 - 電源は必ずAC100Vを使用してください。

その他の接続

お使いになる機器等に応じて、適切に接続してください。

- 接続する前に、外部機器の電源がすべてオフになっていることを確認してください。電源がオンの状態で接続すると、パワー・モニター・スピーカーや他の外部機器に不具合が生じたり、破損の原因になる恐れがあります。
- 下記の端子については、誤動作等を防ぐため、3m以下のケーブルをご使用ください。

🔊(ヘッドホン)端子、DAMPER端子、USB B端子

OUTPUT L/MONO, R端子: これらの端子をミキサー、オーディオ・インターフェース、パワー・モニター・スピーカー等に接続します。VOLUMEノブで音量を調節します。

ヘッドホン端子: ヘッドホンを接続します。OUTPUT L/MONOとR端子からの出力と同じ信号が出力されます。

DAMPER端子: コルグPS-1、PS-3ペダル・スイッチ、またはDS-1Hダンパー・ペダル(別売)を接続してダンパー機能をコントロールします。ペダル極性は自動的に検出されます。そのためには、接続または電源をオンにするときに、ペダルを押さないでください。

MIDI IN/OUT端子: opsix SEを外部MIDI機器と接続し、MIDIメッセージを送受信します。MIDIチャンネルが適切に設定されていることを確認してください。

USB B端子: opsix SEをコンピューターと接続し、MIDIメッセージとデータを送受信します。

電源のオン、オフ

電源をオンにする

本機とパワー・モニター・スピーカー等のアンプ機器の電源がオフになっていることを確認し、すべての機器の音量を最小にします。

- リア・パネルの🔌(電源)ボタンを押します。ディスプレイに“opsix”ロゴが表示されたら、🔌(電源)ボタンから手を離します。
- パワー・モニター・スピーカー等の外部機器の電源をオンにし、それらの音量を調節します。VOLUMEノブ[1]で本機の音量を調節します。

電源をオフにする

- 接続したパワー・モニター・スピーカーや他の外部機器のボリュームを下げ、それらの電源をオフにします。
- 本機の🔌(電源)ボタンを押し、ディスプレイに“Shutting down”と表示されたら🔌(電源)ボタンから手を離します。

オート・パワー・オフ

工場出荷時は、フロント・パネル、キーボード、MIDI入力の操作が行われない状態が4時間経過すると、自動的に電源がオフになります。この機能を無効にする方法は、取扱説明書(PDF)を参照してください。

演奏する

プログラムを演奏する

1. PROGRAMノブ[6]を回してプログラムを選択します。



2. 鍵盤を弾いて音色を確認します。
3. プログラムの選択を決定するには、YESボタン[8]を押します。選択をキャンセルして、元のプログラムに戻すには、NOボタン[8]を押します。
4. 鍵盤の音域を変更するときは、OCTAVEボタン[19]を押して、音域をオクターブ単位で変更します。
5. PITCHホイール[17]は、ピッチを変化させます。MODホイール[18]は主にカットオフ周波数やピブラートの深さを変化させます。MODホイール[18]でコントロールするパラメーターは変更することができます。

アナライザーを使用する

ディスプレイ[5]にオーディオ出力の分析結果をリアルタイムに表示し、プログラム音色を視覚的に確認できます。ANALYZERボタン[9]を押すと、スペクトラム・アナライザー、オシロスコープ、元の表示の順に切り替わります。

アルペジエーターで演奏する

1. ARPEGGIATORボタン[20]を押すと、ディスプレイにArpeggiator Run=Onと表示されます。
2. 鍵盤を弾くとプログラムに設定されているパターンで演奏されます。
3. アルペジエーターをオフにするには、再度ARPEGGIATORボタン[20]を押します。ディスプレイにArpeggiator Run=Offと表示されます。
4. ARPEGGIATORボタン[20]を長押しすると、ディスプレイにArpeggiator Run=Latchと表示され、ラッチ機能が有効になります。鍵盤から手を離しても、アルペジエーターの演奏が止まらずに続きます。再度、ARPEGGIATORボタン[20]を長押しするとラッチ機能は無効になります。

プログラム・エディット

オペレーター・ミキサーでエディットする

OPERATOR MIXERセクションは、各オペレーターのパitch・パラメーターと出力(LEVEL)をRATIO OP 1~6ノブ[3]、LEVEL OP 1~6スライダー[4]でエディットできます。

1. PROGRAMノブ[6]を回し、エディットするプログラムを選択します。
2. OPERATOR MIXERのRATIO OP 1~6ノブ[3]やLEVEL OP 1~6スライダー[4]を操作します。エディットするオペレーターがキャリア(RATIOノブLEDが赤く点灯)と、モジュレーター(RATIOノブLEDが青く点灯)で、効果が異なります。RATIOノブ[3]: 各オペレーターのパitchを変化させます。主に、キャリアではpitchが、モジュレーターでは音色の明るさや倍音の位置などが変化します。モジュレーターのパitchを上げると、FM音源特有のキラキラした倍音が強調されます。LEVELスライダー[4]: 各オペレーターの出力レベルを変化させます。キャリアでは音量が、モジュレーターでは音色の明るさや倍音の強さが変化します。キャリアがFMモードのときは、モジュレーターの出力レベルを非常に大きくすると、ディストーション・ギターにも似た強烈な歪みが現れます。

イージー・プログラム・エディット

オペレーター以外の主要なパラメーターは、HOME/ALGOページでエディットします。

1. HOME/ALGOボタン[10]を押すと、HOME/ALGOページが表示されます。
2. DATA ENTRY A~Fノブ[12]で、ディスプレイに表示中のパラメーターの値を変更します。ALGO: OP 1~6の構成を決めるアルゴリズムを、プリセット・アルゴリズムまたはユーザー・アルゴリズムから選択します。ATK: 全オペレーターのアタック・タイム(音の立ち上がる速さ)を設定します。DECAY: 全オペレーターのディケイ/リリース・タイム(音が減衰する速さ)を設定します。FX1~3: 設定されているエフェクト・タイプによって動作が異なりますが、主にエフェクトの効果がかかる深さを変更します。



ランダムイズ・エディット

プログラムの全体または一部のパラメーターの値をランダムに設定します。サウンド作成時に新たなインスピレーションを得ることができます。

1. RANDOMIZEボタン[14]を押すと、Randomizeページが表示されます。
2. ランダムイズするパラメーターの範囲を選択します。SCOPEパラメーターをDATA ENTRY Aノブで変更します。デフォルトではPROGRAMが選択されており、プログラムのパラメーター全体をランダムに設定します。
3. YESボタン[8]を押すと、確認のメッセージが表示されます。
4. YESボタン[8]を再度押すと、ランダムイズが実行されます。

詳細エディット

詳細なエディットは下記の手順で行います。

1. MODE~EFFECTのボタン[13]を押して、エディットしたいページを選びます。ボタンの下に書かれているARP~GLOBALページを選択するには、SHIFTボタン[16]を押しながらそのボタンを押します。
2. 複数のページがある場合(画面左側に指示)、PAGE <,> ボタン[7]で、ページを選択します。
3. MODE、PITCH、LEVELページでは、各オペレーターのパラメーターをエディットします。OP SELECT +,-ボタン[8]でエディットするオペレーターを選択します。



4. DATA ENTRY A~Fノブ[12]でパラメーターを変更します。各ページでエディットできるパラメーターは以下の通りです。MODE: OP 1~6のオペレーター・モードや出力波形を変更します。PITCH: OP 1~6のpitchや、LFO/EGによるpitch・モジュレーションを変更します。LEVEL/EG: OP 1~6の出力レベル、EG、キー・トラックを設定します。MOD: LFO 1~3やEG1~3を設定します。FILTER: OP 1~6の全体にかかるフィルターを設定します。EFFECT: エフェクト・タイプとエフェクトの詳細なエディットを行います。ARP: アルペジエーターを設定します。SEQ: シーケンサーの動作設定や、シーケンス・データの詳細なエディットをします。VOICE: モノ/ポリフォニックや、ユニゾンの設定を行います。V.PATCH: LFO、EG、他モジュレーションのデスティネーションや効果の強さを設定します。MISC: その他のプログラム・パラメーターを変更します。OP UTILページではオペレーターのコピーなどを行うことができます。

GLOBAL: 本機全体の設定を行います。ここで設定した内容はプログラムには保存されず、すべてのプログラムで共通となります。また、変更した際には自動的に保存されます。

TIP: 各パラメーターの詳細な解説、エフェクトのパラメーターについては、取扱説明書(PDF)を参照してください。

プログラムの保存

エディットしたプログラムは、本機に保存してください。保存する前に本機の電源をオフにしたり、他のプログラムを選択すると、エディットした内容が消えてしまいます。

1. WRITEボタン[15]を押します。
プログラム保存の待機状態になり、YESボタンとNOボタンが点滅します。
2. 必要に応じて、プログラム名を変更します。
PROGRAM/ノブ[5]: カーソルの位置にある文字を変更します。
SHIFTボタン[16]: 入力する文字の種類を変更します。
PAGE <、> ボタン[7]: カーソルを移動します。SHIFTボタンを押しながらPAGE < ボタンを押すと、カーソルの位置にある文字を削除します。SHIFTボタンを押しながらPAGE > ボタンを押すと、カーソルの位置に空白を挿入します。
DATA ENTRY A~F/ノブ[12]: 左右に回すと PAGE <、> ボタンと同じ動作を連続して行うことができます。
3. YESボタンを押して、プログラム名を確定します。
4. PROGRAM/ノブを回して、保存先のプログラムを選びます。
元のプログラムを残しておきたいときは、異なるプログラムを選びます。
TIP: キャンセルするときはNOボタンを押します。
5. YESボタンを押して、プログラムを保存します。
プログラムが保存され、ディスプレイに“Write Completed”と表示されます。
▲ プログラムの保存中は、絶対に電源を切らないでください。内部データが破損する恐れがあります。

ステップ・シーケンサーを使う

本機は最大16ステップのポリフォニック・ステップ・シーケンサーを搭載しています。ステップ・シーケンサーのシーケンス・データは、プログラムごとに保存され、ノート・データのほか、モーション・シーケンス(ノブやスライダーの動きによる音色変化の記録)が録音/再生できます。

ステップ・シーケンサーを再生、録音する

プログラムごとに録音されているシーケンス・データを再生します。

1. PLAYボタン[22]を押します。
選択中のプログラムに録音されているシーケンス・データを再生します。
2. 鍵盤での演奏を録音したいときは、RECボタンを押します。
RECボタン[23]が点灯し、以降の演奏がシーケンス・データに記録されます。再度RECボタンを押すと、録音が終了します。
3. 再生を停止するときは、再度、PLAYボタンを押します。
NOTE: プログラムを保存する前にopsixの電源をオフにしたり、他のプログラムを選択すると、録音した内容が消えてしまいます。→「プログラムの保存」

ステップ・レコーディング

1. SEQUENCER/FAVORITESボタン[21]を押して、SEQ STEPSを選択します。



2. プログラムを選択し、RECボタンを押します。
STEP 1ボタンが点滅します。
3. STEP 1~16ボタン[26]を押して、入力したいステップを選択します。
選択したSTEPボタンが点滅します。
4. 鍵盤を押すとノートが録音され、自動的に次のステップに進みます。
タイを録音するときは、鍵盤を押しのままSTEP 1~16ボタンを押すと、押したステップまでノートが繋がって録音されます。

5. あらかじめ設定されているステップ数の録音が終わると、自動的にステップ・レコーディングを終了します(RECボタンが消灯)。
途中で録音を終了するときはRECボタンを押します。
6. レコーディングが終了したら、プログラムを保存してください。
保存する前に他のプログラムを選択すると、そのプログラムに含まれているシーケンス・データが呼び出され、録音したシーケンス・データが失われます。
▲ プログラムの保存を実行すると、そのプログラムのシーケンス・データは上書きされます。

その他

工場出荷時の状態に戻す

SHIFTボタンとWRITE/RECALLボタンを押しながら、電源を入れると工場出荷時に戻す機能があります。詳しくは、取扱説明書(PDF)を参照してください。

- ▲ データのロード中は、絶対に電源を切らないでください。内部データが破損する恐れがあります。

仕様


鍵盤: 61鍵ナチュラル・タッチ鍵盤(ペロシティおよびリリース・ペロシティ、アフタータッチ対応)

最大同時発音数: 80ボイス(設定によっては最大ボイス数が変化します)

音源システム: オルタードFM音源

プログラム数: 500

入出力端子: ヘッドホン端子(6.3mm ステレオ・フォーン・ジャック)、OUTPUT L/MONO、R端子(6.3mm TRSフォーン・ジャック、インピーダンス・バランス)、DAMPER端子(6.3mm フォーン・ジャック、ハーフ・ダンパー非対応)、MIDI IN端子、MIDI OUT端子、USB B端子

電源: ACアダプター (DC12V、)

消費電力: 5W

外形寸法(幅×奥行×高さ): 1014 × 344 × 108 mm

質量: 8.6kg

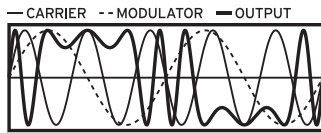
付属品: ACアダプター、クイック・スタート・ガイド

アクセサリ (別売): DS-1Hダンパー・ペダル、PS-1ペダル・スイッチ、PS-3ペダル・スイッチ

* 仕様および外観は、改良のため予告なく変更する場合があります。

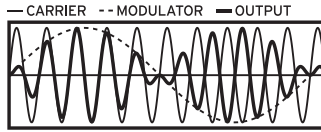
オペレーター・モード

FM



モジュレーターからのオーディオ信号によって、オシレーターのピッチを高速に上下させ音色を変化させます。

RING MOD



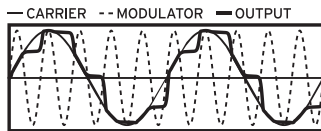
モジュレーターからの入力と、オシレーターの信号を掛け合わせ、オシレーターの音量を高速に上下させ音色を変化させます。

FILTER



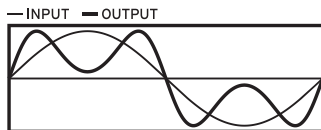
キー・トラッキング機能のついたフィルターです。オシレーターの信号とモジュレーターの信号がフィルターに入力されます。

FILTER FM



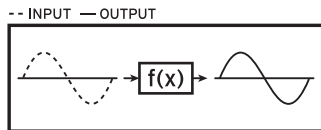
超高速のワウです。モジュレーターからの入力でカットオフ周波数を変調し、オシレーターの信号がフィルターのオーディオ入力として使われます。

WAVE FOLDER



ウェーブ・フォルダー回路は、オシレーターの信号とモジュレーターの信号に対して、一定のしきい値で波形を反転させることで倍音を生み出します。

EFFECT



オペレーターがディレイやコム・フィルター、ディストーションなどのエフェクトとして機能します。オシレーターの信号とモジュレーターからの入力信号は、ともにエフェクトに入力されます。

保証規定 (必ずお読みください)

本保証書は、保証期間中に本製品を保証するもので、付属品類(ヘッドホンなど)は保証の対象になりません。保証期間中に本製品が故障した場合は、保証規定によって無償修理いたします。

1. 本保証書の有効期間はご購入上げ日より1年間です。
2. 次の修理等は保証期間内であっても有償となります。
 - ・消耗部品(電池、スピーカー、真空管、フェーダーなど)の交換。
 - ・お取扱い方法が不適当のために生じた故障。
 - ・天災(火災、浸水等)によって生じた故障。
 - ・故障の原因が本製品以外の他の機器にある場合。
 - ・不当な改造、調整、部品交換などにより生じた故障または損傷。
 - ・保証書にお買い上げ日、販売店名が未記入の場合、または字句が書き替えられている場合。
 - ・本保証書の提示がない場合。
3. 尚、当社が修理した部分が再度故障した場合は、保証期間外であっても、修理した日より3か月以内に限り無償修理いたします。
4. 本保証書は日本国内においてのみ有効です。

This warranty is valid only in Japan.
5. お客様が保証期間中に移転された場合でも、保証は引き続きお使いいただけます。詳しくは、お客様相談窓口までお問い合わせください。
6. 修理、運送費用が製品の価格より高くなる場合がありますので、あらかじめお客様相談窓口へご相談ください。発送にかかる費用は、お客様の負担とさせていただきます。
7. 修理中の代替品、商品の貸し出し等は、いかなる場合においても一切行っておりません。

本製品の故障、または使用上生じたお客様の直接、間接の損害につきましては、弊社は一切の責任を負いかねますのでご了承ください。
本保証書は、保証規定により無償修理をお約束するためのもので、これよりお客様の法律上の権利を制限するものではありません。

■お願い

1. 保証書に販売年月日等の記入がない場合は無効となります。記入できないときは、お買い上げ年月日を証明できる領収書等と一緒に保管してください。
2. 保証書は再発行致しませんので、紛失しないように大切に保管してください。

コルグ opsix SE 保証書

本保証書は、保証規定により無償修理をお約束するものです。

お買い上げ日 年 月 日
販売店名

アフターサービス

修理または商品のお取り扱いについてのご質問、ご相談は、お客様相談窓口へお問い合わせください。

お客様相談窓口 0570-666-569

一部の電話ではご利用になれません。
固定電話または携帯電話からおかけください。
受付時間: 月曜～金曜 10:00～17:00(祝日、窓口休業日を除く)

サービス・センター: 〒168-0073 東京都杉並区下高井戸1-15-10

IMPORTANT NOTICE TO CONSUMERS

This product has been manufactured according to strict specifications and voltage requirements that are applicable in the country in which it is intended that this product should be used. If you have purchased this product via the internet, through mail order, and/or via a telephone sale, you must verify that this product is intended to be used in the country in which you reside.

WARNING: Use of this product in any country other than that for which it is intended could be dangerous and could invalidate the manufacturer's or distributor's warranty.

Please also retain your receipt as proof of purchase otherwise your product may be disqualified from the manufacturer's or distributor's warranty.

REMARQUE IMPORTANTE POUR LES CLIENTS

Ce produit a été fabriqué suivant des spécifications sévères et des besoins en tension applicables dans le pays où ce produit doit être utilisé. Si vous avez acheté ce produit via l'internet, par vente par correspondance ou/et vente par téléphone, vous devez vérifier que ce produit est bien utilisable dans le pays où vous résidez.

ATTENTION: L'utilisation de ce produit dans un pays autre que celui pour lequel il a été conçu peut être dangereuse et annulera la garantie du fabricant ou du distributeur. Conservez bien votre récépissé qui est la preuve de votre achat, faute de quoi votre produit ne risque de ne plus être couvert par la garantie du fabricant ou du distributeur.

WICHTIGER HINWEIS FÜR KUNDEN

Dieses Produkt wurde unter strenger Beachtung von Spezifikationen und Spannungsanforderungen hergestellt, die im Bestimmungsland gelten. Wenn Sie dieses Produkt über das Internet, per Postversand und/oder mit telefonischer Bestellung gekauft haben, müssen Sie bestätigen, dass dieses Produkt für Ihr Wohngebiet ausgelegt ist.

WARNUNG: Verwendung dieses Produkts in einem anderen Land als dem, für das es bestimmt ist, verwendet wird, kann gefährlich sein und die Garantie des Herstellers oder Importeurs hinfällig lassen werden. Bitte bewahren Sie diese Quittung als Kaufbeleg auf, da andernfalls das Produkt von der Garantie des Herstellers oder Importeurs ausgeschlossen werden kann.

NOTA IMPORTANTE PARA EL CONSUMIDOR

Este producto ha sido fabricado de acuerdo a estrictas especificaciones y requerimientos de voltaje aplicables en el país para el cual está destinado. Si ha comprado este producto por internet, a través de correo, y/o venta telefónica, debe usted verificar que el uso de este producto está destinado al país en el cual reside.

AVISO: El uso de este producto en un país distinto al cual está destinado podría resultar peligroso y podría invalidar la garantía del fabricante o distribuidor.

Por favor guarde su recibo como prueba de compra ya que de otro modo el producto puede verse privado de la garantía del fabricante o distribuidor.