

Ampworks bass

MODELING SIGNAL PROCESSOR

Owner's Manual



KORG 5-12, Shimotakaido 1-chome, Suginami-ku, Tokyo, Japan
© 2003 KORG INC. Printed in China

Introduction

Thank you for purchasing Ampworks bass — Korg's portable modeling signal processor. To ensure trouble-free enjoyment, please read this manual carefully and use the product as described. When you have finished reading the manual, keep it for future reference.

Main features

- Ampworks bass uses Korg's "REMS" modeling technology to deliver powerful amp, cabinet and effect modeling sounds. Ampworks is the ideal choice for a wide range of applications including direct-line recording, live performance and practicing through headphones.
- You can combine eleven types of amps with ten types of cabinets to simulate numerous varieties of setups, and also use eleven high-performance effects to add finishing touches to your sound. All this power is easy to control; just use the Amp Type, Cabinet, and Effect selectors plus the amp and effect knobs to dial-in the sound you want.
- You can select from eleven preset programs that are optimized for each amp type, two user programs, or use the manual mode.

1
5

- Use the control knobs (6) to adjust the gain, tone, and volume of the modeled amp. Use the GAIN knob to adjust the gain. If the selected amp type is VALVE – JAZZ, adjusting the gain will also adjust the compressor depth. If the selected amp type is STUDIO – UKMAJOR, the gain will vary the distortion. TREBLE, MIDDLE, and BASS adjust the tone. If the selected amp type is VALVE – JAZZ, you can use the MIDDLE knob to select one of five center frequencies for the mid-range. Hold down the TAP button (9) and turn MIDDLE to switch center frequencies. VOLUME adjusts the overall volume.
- Some tone settings may produce unwanted distortion. If this happens, lower the VOLUME.

- Use the EFFECT selector (7) to select the desired modeled effect and use the EFF.DEPH knob (8) to adjust the effect level. For some of the following effects, you can adjust the modulation speed, delay time, or reverb time. The parameter will be set to a value corresponding to the interval (maximum 4 seconds) at which you press the TAP button (9) twice.

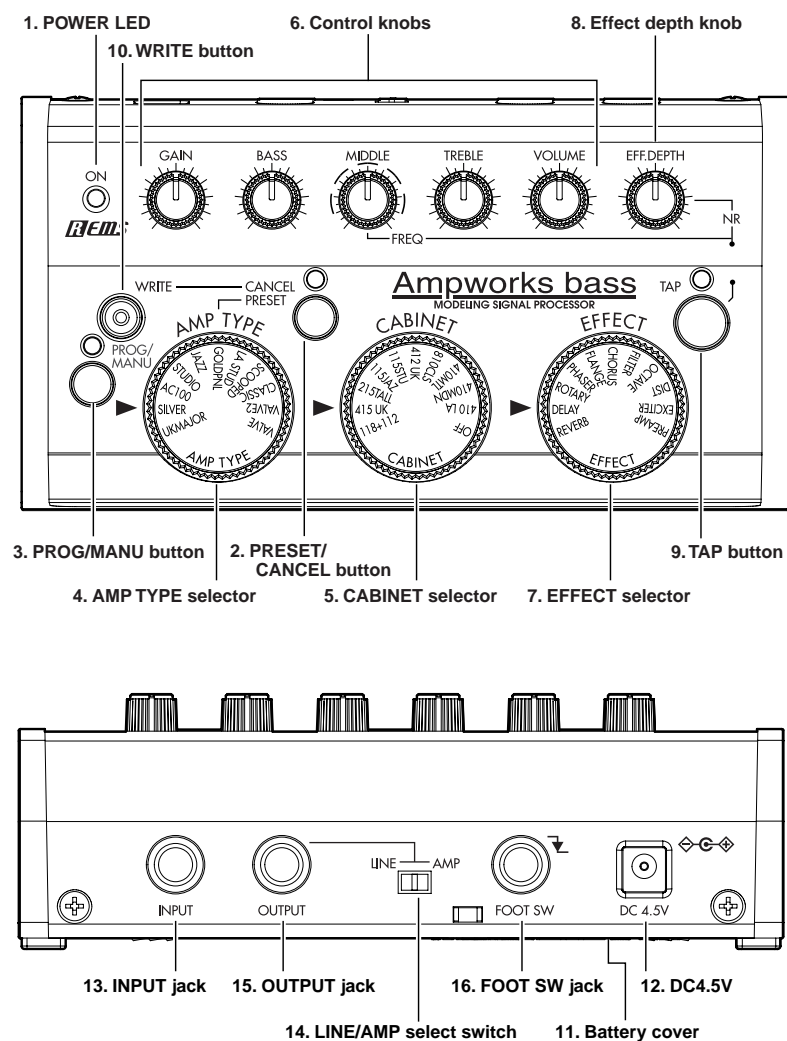
| Effect | Parameter | Range of parameter value | *Proportion to TAP interval |
|-------------------------|------------------|--------------------------|-----------------------------|
| CHORUS, PHASER, ROTARY: | Modulation speed | 80.0 [ms]...4.0 [s] | x 1 |
| FLANGE: | Modulation speed | 160.0 [ms]...8.0 [s] | x 2 |
| DELAY: | Delay time | 80.0 [ms]...1.0 [s] | x 1 |
| REVERB: | Reverb time | approx.0.5 [s]...8.0 [s] | x 2 |
| Others: | --- | --- | --- |

- *Proportion to TAP interval means that for example if FLANGE is selected, pressing the TAP button at a 4-second interval will set the parameter value to twice that length, or a modulation rate of eight seconds per cycle. In addition to these settings, you can also adjust the depth of noise reduction by holding down the TAP button (9) and turning the EFF.DEPH knob (8).
- If a user or preset program is selected, and you want to restore the setting of a specific selector or knob to the setting stored in the program, turn that selector or knob until the LED of the selected program (PRESET, PROG/MANU) goes dark. The LED will go dark for an instant, and then light again immediately.
 - If you select a different program or turn off the power without saving an edited program, your changes will be lost.

Saving a program

- You can store two of your favorite settings in PROG1 and PROG2.
- Press the WRITE button (10). (The PROG/MANU button will blink.)
 - Press the PROG/MANU button (3) to select where you wish to save your program. Each time you press the button, the selection will alternate between PROG1 (LED blinking green) and PROG2 (LED blinking red).
 - Press the WRITE button once again to save your settings. If you decide not to save your settings, press the CANCEL button (2).
- ▲ Data that had previously been in the writing-destination will be overwritten and erased.
- ▲ The bypass on/off setting is not remembered.

Parts and what they do



1
5

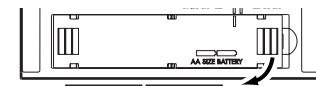
2
6

Setup

Turning the power on/off

When using batteries:

- Slide the battery cover (11) located on the underside of the case toward the UNLOCK position, and remove it. Insert two AA alkaline batteries (included), being sure to observe the correct polarity. Close the cover and slide it to the LOCK position to fasten it in place.
- When using batteries, the power will turn on when a mono cable is plugged into the INPUT jack (13). The POWER LED (1) will light while the power is on. The power will turn off when you remove the cable from the INPUT jack.



- ▲ Be sure to remove the cable from the INPUT jack when you are not using Ampworks to preserve battery life.
- ▲ If you connect a stereo cable, the power will not be turned on.
- ▲ When the batteries run down, the POWER LED will blink. Replace the batteries as soon as possible. Batteries that have become unusable should be removed from the unit immediately. If dead batteries are left in the unit, they may leak or cause other malfunctions. You should also remove the batteries if you will not be using Ampworks for an extended period.

When using the AC adaptor:

- Connect the separately sold AC adaptor to the DC 4.5V jack (12), and plug the AC adaptor into an AC outlet. The POWER LED (1) will light, and the power will turn on.
- Use only the specified external AC adaptor. (DC 4.5V ⚡)
- Be sure to disconnect the AC adaptor from the AC outlet when you are not using Ampworks.

Connections

- Turn off the power of the equipment you want to connect, and lower each volume control.
- Connect your bass to the INPUT jack (13).
- Set the LINE/AMP select switch (14) to the appropriate position for the output destination. If you connect the output to a mixer, recorder, or headphones, use the "LINE" setting. If you connect the output to a bass amp, use the "AMP" position. When AMP is selected, the cabinet response will automatically be adjusted internally to optimize the sound produced through a bass amp.
- Use the "LINE" position if you are connecting Ampworks to a bass amp that has a tweeter and delivers good high-frequency response.
- Connect the OUTPUT jack (15) to your mixer or bass amp. The OUTPUT jack is stereo (TRS), so if you use a mono cable to connect it to your bass amp etc., only the sound of the L (left) channel will be heard. If you are listening through headphones, connect them to this jack.

3
7

Effect parameter list

| AMP TYPE | |
|---------------|--|
| VALVE | A tube amp with the ULTRA LO switch turned ON. (recommended CAB: 810CLS) |
| VALVE2 | A tube amp ideal for rock. (recommended CAB: 810CLS) |
| CLASSIC | A tube amp whose basic character changes according to the setting of the value dial. (recommended CAB: 118+112) |
| SCOOPED | An amp that is typical of 80's sounds. (recommended CAB: 410MTL) |
| LA STUD | An amp that is typical of the LA sound. (recommended CAB: 410 LA) |
| GOLDFNL | An amp distinctive for its eye-catching gold panel and clean sound. (recommended CAB: 410MDN) |
| JAZZ | A combo amp favored by jazz bassists. (recommended CAB: 115JAZ) |
| STUDIO | A tube combo ideal for the Motown sound. (recommended CAB: 115STU) |
| AC100 | A 100W tube amp made by Vox. (recommended CAB: 215TALL) |
| SILVER | A silver-paneled US-made amp head from 1967. (recommended CAB: 215TALL) |
| UKMAJOR | A 200W tube amp made in the UK. (recommended CAB: 415 UK, 412 UK) |
| CABINET | |
| OFF | The sound of a direct line connection, not passed through a cabinet. |
| 410 LA | Four 10-inch speakers / LA sound cabinet model. |
| 410MDN | Four 10-inch speakers / modern-type cabinet model. |
| 410MTL | Four 10-inch aluminum-cone speakers / modern cabinet model. |
| 810CLS | Eight 10-inch speakers / classic-type cabinet model. |
| 412 UK | Four 12-inch speakers / UK-manufactured cabinet model. |
| 115STU | One 15-inch speaker studio combo cabinet model. |
| 115JAZ | One 15-inch speaker jazz combo cabinet model. |
| 215TALL | Two 15-inch speakers / vertical cabinet model. |
| 415 UK | Four 15-inch speakers / UK-manufactured cabinet model. |
| 118+112 | One 12-inch and one 18-inch speaker combination cabinet model. |
| EFFECT | |
| PREAMP | Preamp set to a clear tone. |
| EXCITER | This effect dynamically applies an exciter according to your picking strength. (This is especially effective when you want to give more sparkle to clean sounds.) |
| DIST | Distortion designed for bass. |
| OCTAVE | This generates a pitch one octave lower than the original sound, and mixes it with the original sound to add a sense of depth and low end. This effect may not operate correctly if two or more strings are played simultaneously, or when low-pitched strings are played. |
| FILTER | Low-pass filter type auto-wah. (EFF.DEPH left half: down sweep ↘, right half: up sweep ↗) |
| CHORUS | Vintage stereo chorus. |
| FLANGE | Vintage flanger. |
| PHASER | Vintage phaser. |
| ROTARY | Rotary speaker simulation. |
| DELAY | Stereo delay. |
| REVERB | Spring reverb. |
| Control Knobs | |
| GAIN | Adjusts amp gain. Simultaneously adjusts the compressor if the AMP TYPE is VALVE – JAZZ, or the distortion if the AMP TYPE is STUDIO – UKMAJOR. |
| TREBLE | Adjusts amp high-frequency range. |
| MIDDLE | Adjusts amp mid-frequency range. |
| BASS | Adjusts amp low-frequency range. |
| VOLUME | Adjusts amp volume. |
| EFF.DEPH | Adjusts effect depth. |
| NR | Adjusts noise reduction depth. (Hold down the TAP button and turn EFF.DEPH) |
| FREQ | Selects one of five center frequencies for MIDDLE (mid-range). This can be set if the AMP TYPE is VALVE – JAZZ (hold down the TAP button and turn MIDDLE) |

To restore the factory settings

You can restore PROG1 and PROG2 to the factory settings as follows.

- Hold down the WRITE button (10) and turn on the power.

Using the optional foot switch

If the optional foot switch (PS-1 or PS-100) is connected to the FOOT SW jack (16), you can perform an operation at power-on to specify whether the foot switch will change programs or switch bypass on/off.

If you want to use the footswitch to change programs:

- just turn on the power.
- Pressing the foot switch will cycle in the order of PROG1 → PROG2 → MANUAL → PROG1 ...

If you want to switch between bypass and a program:

- turn on the power while holding down the PROG/MANU button (3).
- Pressing the foot switch will turn bypass on/off. This allows you to switch between one program of choice and bypass.

- ▲ The operating mode of the foot switch can be changed only by this special operation at power-on.

Specifications and options

| | |
|-------------------------|---|
| Amp models: | 11 |
| Cabinet models: | 10 |
| Effects: | 11 + noise reduction |
| Programs: | 2 user, 1 manual, 11 preset |
| Input: | Bass guitar input (mono 1/4" jack) |
| Output: | Line/headphone dual-purpose output (stereo 1/4" jack) |
| Power supply: | Two AA alkaline batteries (allows approximately 10 hours of continuous use) or separately sold AC adaptor (DC 4.5V ⚡) |
| Dimensions (W x D x H): | 144 mm x 78 mm x 48 mm (not including protruding parts) |
| Weight: | 222 g (not including batteries) |
| Included items: | Owner's manual, Two AA alkaline batteries |
| Options: | AC adaptor, foot switch (PS-1 or PS-100) |

Appearance and specifications are subject to change without notice for improvement.

What is REMS?
REMS (Resonant structure and Electronic circuit Modeling System) is KORG's proprietary sound modeling technology which precisely reproduces the complex character and nature of both acoustic and electric instruments as well as electronic circuits in real world environments. REMS emulates a wide variety of sound generation characteristics including instrument bodies, speakers & cabinets, acoustic fields, microphones, vacuum tubes, transistors, etc.

- If you are running into two channels of a mixer or using two amplifiers in stereo, use a stereo to dual mono cable.
- If you want to use an external foot switch to change user programs, manual settings or bypass, connect the optional Korg PS-1 or PS-100 foot switch to the FOOT SW jack (16).
 - When you have finished making connections, turn on the power of the connected equipment and adjust the volume.

Selecting programs (sounds)

Preset programs (11 programs)

- Press the PRESET button (2) to light the LED.
- Turn the AMP TYPE selector (4).
Preset programs with cabinets and effects appropriate for each amp type will be selected.

User programs (PROG1, 2), Manual

- Press the PROG/MANU button (3). Each time you press the button you will cycle through the following three settings.
PROG1 (LED lit green): User-writable program 1
PROG2 (LED lit red): User-writable program 2
MANUAL (LED lit orange): The current settings of the knobs and selectors

Bypass

When you select Bypass, you will only hear the direct (unprocessed) sound of your bass. When Ampworks is bypassed, the manual/program LED (PRESET or PROG/MANU) will go dark.

- To bypass Ampworks, hold down the PROG/MANU button (3) for about two seconds. Press the PROG/MANU button once again to cancel bypass.

Creating your sound

To create your own sound, you can either start with an existing program and modify it, or create a sound from scratch. If you start with an existing program, select the desired program, and then use the control knobs (6) to adjust the amp settings, or adjust the effect and effect depth. You can also try changing the cabinet. Alternatively if you want to create your sound from scratch, you can use the method described below. At this time you may wish to press the PROG/MANU button (3) to select MANUAL.

- Use the AMP TYPE selector (4) to select one of the eleven amp types.
- Use the CABINET selector (5) to select one of the ten types of cabinet models. The combination of amp type and cabinets will determine the basic tonal character of the amp. Any cabinet model can be used with any amp model. Some recommended combinations are in the "Effect parameter list." If you do not want to use effects, set the EFF.DEPH knob (8) to "0" (all the way to the left).

4
8

Precautions

Location
Using the unit in the following locations can result in a malfunction.
• In direct sunlight
• Locations of extreme temperature or humidity
• Excessively dusty or dirty locations
• Locations of excessive vibration
• Close to magnetic fields

Power supply
Please connect the designated AC adapter to an AC outlet of the correct voltage. Do not connect it to an AC outlet of voltage other than that for which your unit is intended.

Interference with other electrical devices
Radios and televisions placed nearby may experience reception interference. Operate this unit at a suitable distance from radios and televisions.

Handling
To avoid breakage, do not apply excessive force to the switches or controls.
Care
If the exterior becomes dirty, wipe it with a clean, dry cloth. Do not use liquid cleaners such as benzene or thinner, or cleaning compounds or flammable polishes.
Keep this manual
After reading this manual, please keep it for later reference.
Keeping foreign matter out of your equipment
Never set any container with liquid in it near this equipment. If liquid gets into the equipment, it could cause a breakdown, fire, or electrical shock.
Be careful not to let metal objects get into the equipment. If something does slip into the equipment, unplug the AC adapter from the wall outlet. Then contact your nearest Korg dealer or the store where the equipment was purchased.

CE mark for European Harmonized Standards
CE mark which is attached to our company's products of AC mains operated apparatus until December 31, 1996 means it conforms to EMC Directive (89/336/EEC) and CE mark Directive (93/68/EEC).
And, CE mark which is attached after January 1, 1997 means it conforms to EMC Directive (89/336/EEC), CE mark Directive (93/68/EEC) and Low Voltage Directive (73/23/EEC).
Also, CE mark which is attached to our company's products of Battery operated apparatus means it conforms to EMC Directive (89/336/EEC) and CE mark Directive (93/68/EEC).

THE FCC REGULATION WARNING (for U.S.A.)
This equipment has been tested and found to comply with the limits for a Class B digital device, pursuant to Part 15 of the FCC Rules. These limits are designed to provide reasonable protection against harmful interference in a residential installation. This equipment generates, uses, and can radiate radio frequency energy and, if not installed and used in accordance with the instructions, may cause harmful interference to radio communications. However, there is no guarantee that interference will not occur in a particular installation. If this equipment does cause harmful interference to radio or television reception, which can be determined by turning the equipment off and on, the user is encouraged to try to correct the interference by one or more of the following measures:
• Reorient or relocate the receiving antenna.
• Increase the separation between the equipment and receiver.
• Connect the equipment into an outlet on a circuit different from that to which the receiver is connected.
• Consult the dealer or an experienced radio/TV technician for help.
Unauthorized changes or modification to this system can void the user's authority to operate this equipment.

IMPORTANT NOTICE TO CONSUMERS
This product has been manufactured according to strict specifications and voltage requirements that are applicable in the country in which it is intended that this product should be used. If you have purchased this product via the internet, through mail order, and/or via a telephone sale, you must verify that this product is intended to be used in the country in which you reside.
WARNING: Use of this product in any country other than that for which it is intended could be dangerous and could invalidate the manufacturer's or distributor's warranty.
Please also retain your receipt as proof of purchase otherwise your product may be disqualified from the manufacturer's or distributor's warranty.

Ampworks bass

MODELING SIGNAL PROCESSOR
PROCESSEUR DE SIGNAL À MODÉLISATION

Manuel d'utilisation

TONEWORKS
KORG
IEMs

KORG

5-12, Shimotakaido 1-chome, Suginami-ku, Tokyo, Japan

© 2003 KORG INC.

E F 1

Printed in China

Introduction

Merci d'avoir choisi le processeur de signal à modélisation portable **Ampworks bass** de Korg. Pour garantir un fonctionnement sans problèmes, veuillez lire attentivement ce manuel et utiliser l'appareil comme expliqué. Quand vous avez fini de lire le manuel, conservez-le de façon à pouvoir vous y reporter par la suite.

Caractéristiques principales

- Ampworks bass utilise la technologie de modélisation "*IEMs*" de Korg pour délivrer des sons de modélisation d'ampli, de coffret et d'effet puissants. Ampworks est le choix idéal pour un large éventail d'applications, notamment l'enregistrement en ligne direct, les représentations en direct et l'entraînement au casque.
- Vous pouvez combiner onze types d'amplis avec dix types de coffrets pour simuler un grand nombre de configurations différentes, ainsi qu'utiliser onze effets hautes performances pour ajouter une touche finale au son. Toute cette puissance est facile à contrôler; il suffit d'utiliser les sélecteurs Amp Type, Cabinet et Effect, plus les boutons d'ampli et d'effet pour sélectionner la source de votre choix.
- Vous pouvez sélectionner onze programmes préréglés qui sont optimisés pour chaque type d'ampli, deux programmes utilisateur, ou utiliser le mode manuel.

1

5

réglage du gain ajustera également la profondeur du compresseur. Si vous avez sélectionné le type d'ampli STUDIO-UKMAJOR, le gain fera varier la distorsion. TREBLE, MIDDLE et BASS permettent de régler la tonalité. Si vous avez sélectionné le type d'ampli VALVE-JAZZ, vous pourrez utiliser le bouton MIDDLE pour sélectionner l'une des cinq fréquences centrales du médium. Maintenez le bouton TAP (9) enfoncé et tournez MIDDLE pour modifier la fréquence centrale. VOLUME règle le volume d'ensemble.

- Certains réglages de tonalité risquent de produire une distorsion désagréable. Dans ce cas, baissez le VOLUME.

- Utilisez le sélecteur EFFECT (7) pour sélectionner l'effet modélisé souhaité et utilisez le bouton EFF.DEPH (8) pour régler le niveau de l'effet.

Avec certains des effets suivants, vous pourrez régler la vitesse de modulation, le temps de retard ou le temps de réverbération. Le paramètre se réglera sur une valeur correspondant à l'intervalle de temps (4 secondes maximum) séparant deux pressions successives sur le bouton TAP (9).

| Effet: | Paramètre | Plage de réglage du paramètre | *Proportion de l'intervalle de pression de TAP |
|-------------------------|------------------------|-------------------------------|--|
| CHORUS, PHASER, ROTARY: | Vitesse de modulation | 80,0 [ms]...4,0 [s] | x 1 |
| FLANGE: | Vitesse de modulation | 160,0 [ms]...8,0 [s] | x 2 |
| DELAY: | Temps de retard | 80,0 [ms]...1,0 [s] | x 1 |
| REVERB: | Temps de réverbération | Environ 0,5 [s]...8,0 [s] | x 2 |
| Autres: | --- | --- | --- |

*La proportion de l'intervalle de pression de TAP signifie que si vous sélectionnez l'exemple FLANGE, le fait d'appuyer sur le bouton TAP à intervalle de 4 secondes réglera le paramètre sur 2 fois cette longueur, soit une vitesse de modulation de huit secondes par cycle.

En plus de ces réglages, vous pouvez également régler la profondeur de la réduction de bruit en maintenant le bouton TAP (9) enfoncé et en tournant le bouton EFF.DEPH (8).

- Si vous sélectionnez un programme utilisateur ou un programme préréglé et que vous souhaitez ramener le paramètre d'un sélecteur ou d'un bouton à la valeur enregistrée dans le programme, tournez ce sélecteur ou ce bouton jusqu'à ce que la LED du programme sélectionné (PRESET, PROG/MANU) s'éteigne. La LED s'éteindra pendant quelques instants, puis elle se rallumera immédiatement.

- Si vous sélectionnez un programme différent ou que vous mettez l'appareil hors tension sans enregistrer le programme que vous avez modifié, vos modifications seront perdues.

Enregistrement d'un programme

Vous pouvez enregistrer deux de vos réglages favoris dans PROG1 et PROG2.

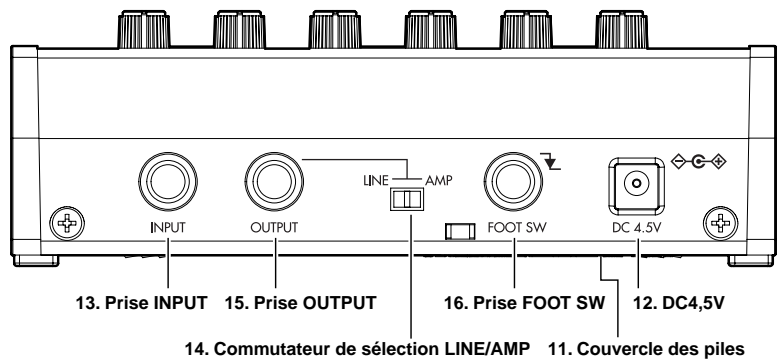
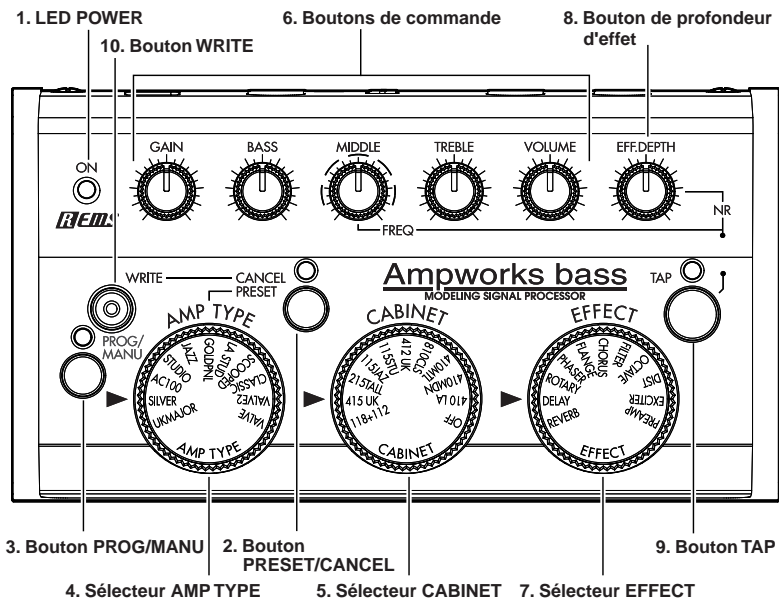
- Appuyez sur le bouton WRITE (10). (Le bouton PROG/MANU clignote.)
- Appuyez sur le bouton PROG/MANU (3) pour sélectionner l'endroit où vous souhaitez enregistrer votre programme. Chaque fois que vous appuyez sur le bouton, la sélection alterne entre PROG1 (la LED clignote en vert) et PROG2 (la LED clignote en rouge).

- Appuyez à nouveau sur le bouton WRITE pour enregistrer vos réglages. Si vous décidez de ne pas enregistrer vos réglages, appuyez sur le bouton CANCEL (2).

- Les données préalablement contenues dans la destination d'enregistrement seront écrasées et supprimées.

- Le réglage de la dérivation (marche/arrêt) n'est pas mémorisé.

Les commandes et leurs fonctions



Pour réinitialiser les réglages d'usine

Vous pouvez ramener PROG1 et PROG2 aux réglages d'usine, en procédant de la façon suivante.

- Maintenez le bouton WRITE (10) enfoncé et mettez l'appareil sous tension.

Utilisation de la commande au pied en option

Si vous raccordez la commande au pied (PS-1 ou PS-100) en option à la prise FOOT SW (16), vous pourrez effectuer une opération à la mise sous tension pour spécifier si la commande au pied doit modifier les programmes ou commander la marche et l'arrêt de la dérivation.

Si vous souhaitez utiliser la commande au pied pour modifier les programmes: Il suffit de mettre l'appareil sous tension.

- Le fait d'appuyer sur la commande au pied fera parcourir le cycle de PROG1 → PROG2 → MANUAL → PROG1 ...

Si vous souhaitez alterner entre la dérivation et un programme:

Mettez l'appareil sous tension tout en maintenant le bouton PROG/MANU (3) enfoncé.

- Le fait d'appuyer sur la commande au pied activera/désactivera la dérivation. Ceci vous permet d'alterner entre le programme de votre choix et la dérivation.

- Vous ne pouvez modifier le mode de fonctionnement de la commande au pied qu'avec cette opération spéciale à la mise sous tension.

Fiche technique et options

| | |
|--------------------------|---|
| Modèles d'ampli : | 11 |
| Modèles de coffrets : | 10 |
| Effets : | 11 + réduction de bruit |
| Programmes : | 2 utilisateur, 1 manuel, 11 préréglés |
| Entrée : | Entrée de guitare basse (prise mono 1/4") |
| Sortie : | Sortie double usage ligne/casque (prise stéréo 1/4") |
| Alimentation : | Deux piles alcalines AA (permettent environ 10 heures d'utilisation continue) ou adaptateur secteur vendu séparément (DC 4.5 V ⏻⏻⏻) |
| Dimensions (L x P x H) : | 144 mm x 78 mm x 48 mm (sans les commandes faisant saillie) |
| Poids : | 222 g (sans les piles) |
| Accessoires fournis : | Manuel du propriétaire. Deux piles alcalines AA. |
| Options : | Adaptateur secteur, commande au pied (PS-1 ou PS-100) |

L'aspect extérieur et les spécifications sont sujets à modifications sans préavis à des fins d'amélioration.

| Qu'est-ce que la technologie <i>IEMs</i> ? |
|---|
| Le <i>IEMs</i> système (de l'anglais Resonant Structure and Electronic circuit Modeling System) constitue une technique de modelage du son déposée par Korg qui reproduit avec précision le caractère complexe et la nature tant des instruments acoustiques qu'électriques ainsi que des circuits électroniques dans des environnements réels. Le <i>IEMs</i> émule une vaste gamme des caractéristiques de génération des sons y compris des corps d'instruments, des haut-parleurs et des enceintes des champs acoustiques, des microphones, des tubes à vide, des transistors, etc. |

Configuration

Mise sous/hors tension

Lors d'une alimentation sur piles :

- Glissez le couvercle des piles (11) situé sous le boîtier vers la position UNLOCK et retirez-le. Insérez deux piles alcalines AA (fournies), en veillant bien à respecter les polarités. Refermez le couvercle et glissez-le vers la position LOCK pour le remettre en place.

- Quand l'appareil est alimenté sur piles, il se met sous tension lorsque vous branchez un câble mono dans la prise INPUT (13). La LED POWER (1) s'allume quand l'appareil est sous tension.

L'appareil se met hors tension quand vous retirez le câble mono de la prise INPUT.

- Pensez bien à débrancher le câble de la prise INPUT lorsque vous n'utilisez pas l'Ampworks de façon à économiser l'énergie des piles.

- Si vous raccordez un câble stéréo, l'appareil ne se mettra pas sous tension.

- Quand les piles sont usées, la LED POWER clignote. Remplacez les piles le plus tôt possible. Les piles usées devront être immédiatement retirées de l'appareil. Si vous laissez des piles usées dans l'appareil, elles risquent de fuir ou de provoquer un dysfonctionnement. Il faudra également retirer les piles lorsque vous ne prévoyez pas d'utiliser l'Ampworks pendant un certain temps.

Lors d'une alimentation avec l'adaptateur secteur :

- Raccordez l'adaptateur secteur vendu séparément à la prise DC 4.5V (12), et branchez l'adaptateur secteur dans une prise secteur. La LED POWER (1) s'allume, et l'appareil se met sous tension.

- Utilisez uniquement l'adaptateur secteur spécifié (DC 4.5 V ⏻⏻⏻)

- Pensez bien à débrancher l'adaptateur secteur de la prise secteur lorsque vous n'utilisez pas l'Ampworks.

Raccordements

- Mettez l'appareil que vous souhaitez raccorder hors tension et baissez toutes les commandes de volume.
- Raccordez votre basse à la prise INPUT (13).
- Mettez le commutateur de sélection LINE/AMP (14) sur la position correspondant à la destination de sortie. Si vous raccordez la sortie à un mélangeur, un enregistreur ou un casque, utilisez le réglage "LINE". Si vous raccordez la sortie à un ampli de basse, utilisez le réglage "AMP". Si vous sélectionnez AMP, la réponse du coffret sera automatiquement réglée en interne afin d'optimiser le son produit par un ampli de basse.

- Utilisez le réglage "LINE" si vous raccordez l'Ampworks à un ampli de basse doté d'un haut-parleur d'aigu et délivrant une bonne réponse des hautes fréquences.

- Raccordez la prise OUTPUT (15) à votre mélangeur ou votre ampli de basse. La prise OUTPUT est stéréophonique (TRS), de sorte que si vous utilisez un câble mono pour la raccorder à votre ampli de basse, etc., seul le son du canal L (gauche) sera émis.

Si vous utilisez les deux canaux d'un mélangeur ou que vous utilisez deux amplificateurs en stéréo,

Liste des paramètres d'effet

| AMP TYPE | |
|----------|---|
| VALVE | Un ampli avec tube à vide où le sélecteur des ultra-graves est activé. (enceinte recommandée: 810CLS) |
| VALVE2 | Un ampli avec tube à vide idéal pour le rock. (enceinte CAB recommandée: 810CLS) |
| CLASSIC | Un ampli avec tube à vide dont le caractère de base change en fonction du réglage du disque de valeurs. (enceinte recommandée: 118+112) |
| SCOOPED | Un ampli typique du son des années 80. (enceinte recommandée: 410MTL) |
| LA STUD | Un ampli type du son LA. (enceinte recommandée: 410 LA) |
| GOLDPNL | Un ampli différent à cause de sa face dorée tape à l'œil, avec un son clair. (enceinte recommandée: 410MDN) |
| JAZZ | Un ampli combo apprécié des bassistes de jazz. (enceinte recommandée: 115JAZ) |
| STUDIO | Un ampli combo avec tube à vide idéal pour un son Motown. (enceinte recommandée: 115STU) |
| AC100 | Un ampli avec tube à vide de 100W fabriqué par Vox. (enceinte recommandée: 215TALL) |
| SILVER | Tête d'ampli à panneau argenté fabriqué aux Etats-Unis à partir de 1967. (enceinte recommandée: 215TALL) |
| UKMAJOR | Un ampli avec tube à vide de 200W fabriqué au RU. (enceinte recommandée: 415 UK, 412 UK) |

| CABINET | |
|---------|---|
| OFF | Son d'un raccordement de ligne direct, ne passant pas par un coffret. |
| 410 LA | Modèle d'enceinte pour son LA avec quatre haut-parleurs de 10 pouces |
| 410MDN | Modèle d'enceinte de type moderne avec quatre haut-parleurs de 10 pouces. |
| 410MTL | Modèle d'enceinte avec quatre haut-parleurs de 10 pouces, en aluminium et coniques. |
| 810CLS | Modèle d'enceinte de type classique avec huit haut-parleurs de 10 pouces. |
| 412 UK | Modèle d'enceinte fabriqué au RU avec quatre haut-parleurs de 12 pouces. |
| 115STU | Modèle d'enceinte combo de studio avec un haut-parleur de 15 pouces. |
| 115JAZ | Modèle d'enceinte combo de jazz avec un haut-parleur de 15 pouces. |
| 215TALL | Modèle d'enceinte verticale avec deux haut-parleurs de 15 pouces |
| 415UK | Modèle d'enceinte fabriqué au RU avec quatre haut-parleurs de 15 pouces. |
| 118+112 | Modèle d'enceinte combinant un haut-parleur de 12 pouces et un haut-parleur de 18 pouces. |

| EFFECT | |
|---------|--|
| PREAMP | Réglage du pré-ampli sur une tonalité claire. |
| EXCITER | Cet effet applique un exciteur dynamique en fonction de la force de grattage. (Il s'avère particulièrement efficace lorsque vous souhaitez donner plus d'éclat pour épurer les sons.) |
| DIST | Distorsion pour basse. |
| OCTAVE | Cet effet génère une hauteur de son d'une octave inférieure à celle du son d'origine et mélange l'effet au son d'origine pour ajouter une impression de profondeur et de fin en douceur. Cet effet peut ne pas fonctionner correctement si vous jouez deux ou plusieurs cordes simultanément ou lors du jeu des cordes de faible hauteur tonale. |
| FILTER | Filtre passe bas de type auto-wah. moitié gauche : balayage descendant (✓), moitié droite : balayage ascendant (^) |
| CHORUS | Coeur stéréo ancien. |
| FLANGE | Flanger ancien. |
| PHASER | Phaseur ancien. |
| ROTARY | Simulation d'enceinte rotative. |
| DELAY | Retard stéréo. |
| REVERB | Réverbérations ressort. |

Boutons de commande

| | |
|----------|--|
| GAIN | Règle le gain d'ampli. SRègle simultanément le compresseur si AMP TYPE est réglé sur VALVE-JAZZ, ou la distorsion si AMP TYPE est réglé sur STUDIO-UKMAJOR. |
| TREBLE | Règle la plage des hautes fréquences d'ampli. |
| MIDDLE | Règle la plage des fréquences intermédiaires d'ampli. |
| BASS | Règle la plage des basses fréquences d'ampli. |
| VOLUME | Règle le volume d'ampli. |
| EFF.DEPH | Règle la profondeur d'effet. |
| NR | Règle la profondeur de réduction de bruit. (Maintenez le bouton TAP enfoncé et tournez EFF.DEPH.) |
| FREQ | Sélectionne l'une des cinq fréquences centrales de MIDDLE (médium). Ce réglage est possible si AMP TYPE est réglé sur VALVE-JAZZ (maintenez la touche TAP enfoncée et tournez MIDDLE). |

utilisez un câble stéréo à double mono.

- Si vous souhaitez utiliser une commande au pied pour commuter les programmes utilisateur, les réglages manuels ou le bypass, raccordez la commande au pied Korg en option PS-1 ou PS-100 à prise FOOT SW (16).

- Lorsque les raccordements sont terminés, mettez l'appareil raccordé sous tension et réglez le volume.

Sélection des programmes (sons)

Programmes préréglés (11 programmes)

- Appuyez sur le bouton PRESET (2) de façon que la LED s'allume.
- Tournez le sélecteur AMP TYPE (4). Vous pouvez sélectionner les programmes préréglés avec les coffrets et les effets adaptés à chaque type d'ampli.

Programmes utilisateur (PROG1, 2), Manuel

- Appuyez sur le bouton PROG/MANU (3). Chaque fois que vous appuyez sur le bouton, vous parcourez le cycle des trois réglages suivants.

| | |
|---------------------------------|--|
| PROG1 (LED allumée en vert): | Programme réglable par l'utilisateur 1 |
| PROG2 (LED allumée en rouge): | Programme réglable par l'utilisateur 2 |
| MANUAL (LED allumée en orange): | Les réglages actuels des boutons et des sélecteurs |

Bypass (dérivation)

Si vous sélectionnez Bypass, vous n'entendez que le son direct (non traité) de votre basse. Si vous contournez l'Ampworks, la LED manuel/programme (PRESET ou PROG/MANU) s'éteint.

- Pour contourner l'Ampworks, maintenez le bouton PROG/MANU (3) enfoncé pendant environ deux secondes. Appuyez à nouveau sur le bouton PROG/MANU pour annuler la dérivation.

Création de votre propre son

Pour créer votre propre son, vous devez soit commencer avec un programme existant et le modifier, soit créer le son depuis le début. Si vous commencez avec un programme existant, sélectionnez le programme, puis utilisez les boutons de commande (6) pour régler les paramètres de l'ampli, ou réglez l'effet et la profondeur d'effet. Vous pouvez également essayer de modifier le coffret. Ou bien, si vous souhaitez créer votre propre son depuis le début, vous pouvez utiliser la méthode expliquée ci-dessous. A ce moment, vous voudrez peut-être appuyer sur le bouton PROG/MANU (3) pour sélectionner MANUAL.

- Utilisez le sélecteur AMP TYPE (4) pour sélectionner l'un des onze types d'ampli.
- Utilisez le sélecteur CABINET (5) pour sélectionner l'un des onze types de modèles de coffret. La combinaison du type d'ampli et des coffrets déterminera la tonalité de base de l'ampli. Vous pouvez utiliser n'importe quel modèle de coffret avec n'importe quel modèle d'ampli. Certaines combinaisons recommandées sont données dans la "Liste des paramètres d'effet". Si vous ne souhaitez pas utiliser d'effets, réglez le bouton EFF.DEPH (8) sur "0" (à fond sur la gauche).
- Utilisez les boutons de commande (6) pour régler le gain, la tonalité et le volume de l'ampli modélisé. Utilisez le bouton GAIN pour régler le gain. Si vous avez sélectionné le type d'ampli VALVE-JAZZ, le

Précautions

Emplacement
L'utilisation de cet instrument dans les endroits suivants peut entraîner le mauvais fonctionnement.

- En plein soleil
- Endroits très chauds ou très humides
- Endroits sales ou fort poussiéreux
- Endroits soumis à de fortes vibrations
- A proximité de champs magnétiques

Alimentation
Branchez l'adaptateur secteur fourni à une prise secteur de tension appropriée. Evitez de brancher l'adaptateur à une prise de courant dont la tension ne correspond pas à celle pour laquelle l'appareil est conçu.

Interférences avec d'autres appareils électriques
Les postes de radio et de télévision situés à proximité peuvent par conséquent souffrir d'interférences à la réception. Veuillez dès lors faire fonctionner cet appareil à une distance raisonnable de postes de radio et de télévision.

Maniement
Pour éviter de les endommager, manipulez les commandes et les boutons de cet instrument avec soin.

Entretien
Lorsque l'instrument se salit, nettoyez-le avec un chiffon propre et sec. Ne vous servez pas d'agents de nettoyage liquides tels que du benzène ou du diluant, voire des produits inflammables.

Conservez ce manuel
Après avoir lu ce manuel, veuillez le conserver soigneusement pour toute référence ultérieure.

Evitez toute intrusion d'objets ou de liquide
Ne placez jamais de récipient contenant du liquide près de l'instrument. Si le liquide se renverse ou coule, il risque de provoquer des dommages, un court-circuit ou une électrocution.

Veuillez à ne pas laisser tomber des objets métalliques dans le boîtier (trombones, par ex.). Si cela se produit, débranchez l'alimentation de la prise de courant et contactez votre revendeur korg le plus proche ou la surface où vous avez acheté l'instrument.

| Marque CE pour les normes européennes harmonisées |
|---|
| La marque CE apposée sur tous les produits de notre firme fonctionnant sur secteur jusqu'au 31 décembre 1996 signifie que ces appareils répondent à la Directive EMC (89/336/CEE) et à la Directive concernant la marque CE (93/68/CEE). La marque CE apposée après le 1 janvier 1997 signifie que ces appareils sont conformes à la Directive EMC (89/336/CEE), à la Directive concernant la marque CE (93/68/CEE) ainsi qu'à la Directive Basse Tension (73/23/CEE). La marque CE apposée sur tous les produits de notre firme fonctionnant sur piles signifie que ces appareils répondent à la Directive EMC (89/336/CEE) et à la Directive concernant la marque CE (93/68/CEE). |

| REMARQUE IMPORTANTE POUR LES CLIENTS |
|---|
| Ce produit a été fabriqué suivant des spécifications sévères et des besoins en tension applicables dans le pays où ce produit doit être utilisé. Si vous avez acheté ce produit via l'internet, par vente par correspondance ou/et vente par téléphone, vous devez vérifier que ce produit est bien utilisable dans le pays où vous résidez. ATTENTION: L'utilisation de ce produit dans un pays autre que celui pour lequel il a été conçu peut être dangereuse et annulera la garantie du fabricant ou du distributeur. Conservez bien votre récépissé qui est la preuve de votre achat, faute de quoi votre produit ne risque de ne plus être couvert par la garantie du fabricant ou du distributeur. |

Ampworks bass

MODELING SIGNAL PROCESSOR

Bedienungshandbuch



5-12, Shimotakaido 1-chome, Suginami-ku, Tokyo, Japan



Printed in China

Einleitung

Herzlichen Glückwunsch zum Kauf von **Ampworks bass** — dem portablen Modeling Signal Processor von Korg. Bitte lesen Sie die Anleitung vor dem Gebrauch sorgfältig durch, denn sie enthält alle Informationen für langen und störungsfreien Betrieb. Legen Sie die Anleitung nach dem Durchlesen griffbereit zum Nachschlagen ab.

Wichtigste Merkmale

- Ampworks bass verwendet Korgs "REMS" Modeling-Technologie, um kraftvolle Amp-, Cabinet und Effect-Modeling-Sounds zu liefern. Ampworks ist die ideale Wahl für eine lange Reihe von Applikationen einschließlich direct-line Aufnahme, Live-Auftritte und Üben mit Kopfhörern.
- Sie können elf Typen von Amps mit zehn Typen von Cabinets zum Simulieren verschiedener Arten von Setups und elf hochentwickelte Effekte verwenden, um Ihrem Sound den letzten Schliß zu geben. Und diese Power lässt sich leicht kontrollieren; verwenden Sie einfach die Regler für Amp-Typ, Cabinet und Effekt, sowie die Knöpfe Amp und Effect, um den gewünschten Effekt fein einzustellen.
- Sie können zwischen elf Vorgabe-Programmen wählen, die für jeden Amp-Typ optimiert sind, zwei Anwenderprogramme, oder den Manuell-Modus verwenden.

1

5

eingestellt. Wenn der gewählte Verstärkertyp STUDIO – UKMAJOR ist, wird durch Gain auch Verzerrung variiert.

Die TREBLE-, MIDDLE- und BASS-Knöpfe dienen zur Einstellung des Tons. Wenn der gewählte Verstärkertyp VALVE JAZZ ist, können Sie den MIDDLE-Knopf zum Wählen einer der fünf Mittenfrequenzen für den Mittenbereich verwenden. Halten Sie die TAP-Taste (9) gedrückt und drehen Sie MIDDLE zum Umschalten der Mittenfrequenzen. Mit VOLUME stellen Sie die Gesamtlautstärke ein.

Manche Klangeinstellungen können zu ungewünschter Verzerrung führen. In diesem Fall stellen Sie VOLUME niedriger ein.

Verwenden Sie den EFFECT-Wahlschalter (7) zur Wahl des gewünschten modellierten Effekts und verwenden Sie den EFF.DEPTH-Knopf (8) zur Einstellung des Effektpegels.

Für einige der folgenden Effekte können Sie die Modulationsgeschwindigkeit, Verzögerungszeit oder Reverb-Zeit einstellen. Der Parameter wird auf einen Wert eingestellt, der dem Interval entspricht (maximal 4 Sekunden), mit dem Sie die TAP-Taste (9) zweimal drücken.

| Effekt: | Parameter | Bereich des Parameterwerts | *Proportion zum TAP-Intervall |
|-------------------------|-----------------------------|----------------------------|-------------------------------|
| CHORUS, PHASER, ROTARY: | Modulations-Geschwindigkeit | 80.0 [ms]...4.0 [s] | x 1 |
| FLANGE: | Modulations-Geschwindigkeit | 160.0 [ms]...8.0 [s] | x 2 |
| DELAY: | Verzögerungszeit | 80.0 [ms]...1.0 [s] | x 1 |
| REVERB: | Reverb-Zeit | ca. 0.5 [s]...8.0 [s] | x 2 |
| Andere: | --- | --- | --- |

*Proportion zum TAP-Intervall bedeutet dass wenn z.B. FLANGE gewählt ist beim Drücken der TAP-Taste in einem 4-Sekunden-Intervall der Parameter auf das Doppelte dieser Länge eingestellt wird, entsprechend einer Modulationsrate von acht Sekunden pro Zyklus.

Neben diesen Einstellungen können Sie auch die Tiefe der Rauschunterdrückung einstellen, indem Sie die TAP-Taste (9) drücken und den EFF.DEPTH-Knopf (8) drehen.

Wenn ein Anwender oder ein Vorwahlprogramm gewählt ist und Sie die Einstellung eines spezifischen Wahlschalters oder Knopfes auf die im Programm gespeicherte Einstellung zurücksetzen wollen, drehen Sie den Wahlschalter oder Knopf, bis die LED des gewählten Programms (PRESET, PROG/MANU) erlischt. Die LED erlischt für einen Moment und leuchtet dann sofort wieder auf.

Wenn Sie ein anderes Programm wählen oder das Gerät ausschalten, ohne ein bearbeitetes Programm zu speichern, gehen die vorgenommenen Änderungen verloren.

Speichern eines Programms

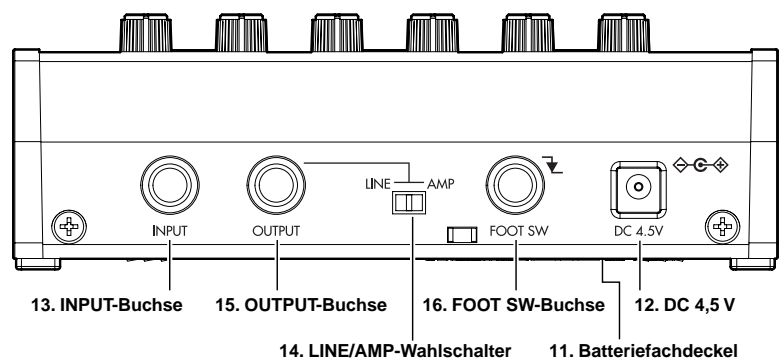
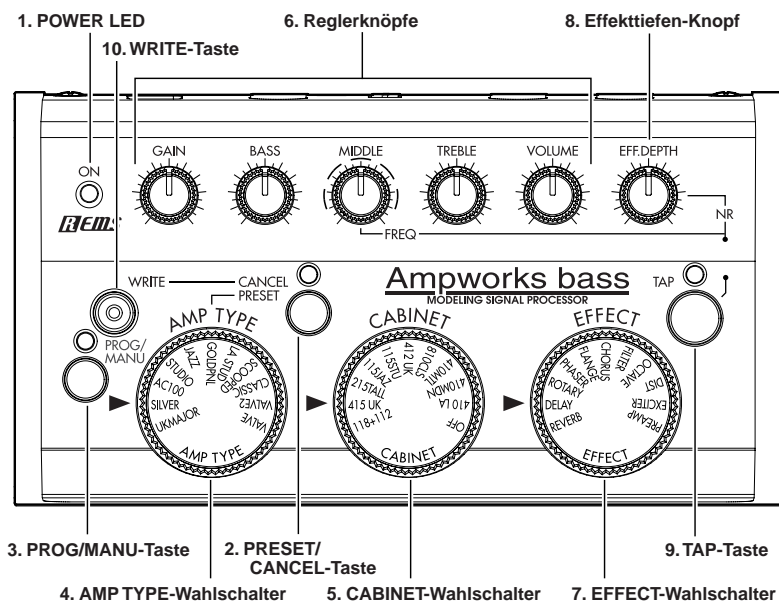
Sie können zwei Ihrer beliebtesten Einstellungen in PROG1 und PROG2 speichern.

- Drücken Sie die WRITE-Taste (10). (Die PROG/MANU-Taste blinkt.)
- Drücken Sie die PROG/MANU-Taste (3), um zu wählen, wo das Programm gespeichert werden soll. Bei jedem Tastendruck wechselt die Wahl zwischen PROG1 (LED blinkt grün) und PROG2 (LED blinkt rot) um.
- Drücken Sie die WRITE-Taste erneut, um die Einstellungen zu speichern. Wenn Sie sich entscheiden, die Einstellungen nicht zu speichern, drücken Sie die CANCEL-Taste (2).

Daten, die am Speicherort bereits vorhanden sind, werden gelöscht und überschrieben.

Die Einstellung für Bypass ein/aus wird nicht bewahrt.

Teile und ihre Funktionen



1

5

2

6

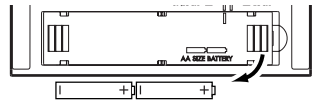
Setup

Ein- und Ausschalten

Bei Batteriebetrieb:

Den Batteriefachdeckel (11) an der Unterseite des Gehäuses auf UNLOCK schieben und abheben. Zwei Alkali-Mignonzellen (AA, R6) (mitgeliefert) einsetzen, und auf richtige Polung achten. Die Abdeckung schließen, und den Deckel auf LOCK schieben, bis er sicher fest sitzt.

Bei Batteriebetrieb schaltet der Strom ein, wenn ein Monokabel in die INPUT-Buchse (13) eingesteckt ist. Die POWER LCD (1) leuchtet beim Betrieb auf. Der Strom abziehen, wenn Sie das Kabel von der INPUT-Buchse abziehen.



Wenn Sie den Ampworks nicht verwenden, empfehlen wir, das Kabel von der INPUT-Buchse abzuziehen, um die Lebensdauer der Batterie zu verlängern.

Wenn Sie ein Stereokabel anschließen, wird das Gerät nicht eingeschaltet.

Wenn die Batterien schwach werden, blinkt die POWER LED. Ersetzen Sie die Batterien so schnell wie möglich. Batterien, die unbrauchbar geworden sind, sollten sofort aus dem Gerät entfernt werden. Wenn tote Batterien im Gerät gelassen werden, können sie leck werden oder andere Fehlfunktionen verursachen. Sie sollten auch die Batterien entfernen, wenn Sie Ampworks längere Zeit nicht verwenden wollen.

Bei Verwendung des Netzteils:

Schließen Sie das getrennt erhältliche Netzteil an die Buchse DC 4,5V (12) an und stecken Sie das Netzteil in eine Steckdose. Die POWER LED (1) leuchtet auf, und das Gerät wird eingeschaltet.

Verwenden Sie nur das vorgeschriebene externe Netzteil. (DC 4,5V ⚡)

Wenn Sie den Ampworks nicht verwenden, trennen Sie immer das Netzteil von der Steckdose ab.

Anschlüsse

- Schalten Sie das anzuschließende Gerät aus, und stellen Sie alle Lautstärkeregler auf Minimum ein.
- Schließen Sie Ihren Bass an die INPUT-Buchse (13) an.
- Stellen Sie den LINE/AMP-Wahlschalter (14) in die richtige Stellung für das Ausgabe-Ziel. Wenn Sie den Ausgang an ein Mischpult, Recorder oder Kopfhörer anschließen, verwenden Sie die Einstellung "LINE". Wenn Sie den Ausgang an einen Bassverstärker anschließen, verwenden Sie die Einstellung "AMP". Wenn AMP gewählt ist, wird der Cabinet-Response automatisch intern eingestellt, um den über Bassverstärker produzierten Sound intern einzustellen.
- Verwenden Sie die "LINE"-Position, wenn Sie Ampworks an einen Bassverstärker anschließen, der einen Hochtoner hat und guten Frequenzgang liefert.
- Schließen Sie die Buchse OUTPUT (15) an Ihren Mixer oder Bassverstärker an. Die OUTPUT-Buchse ist Stereo (TRS); wenn Sie ein Mono-Kabel zum Anschließen von Bassverstärker usw. verwenden, wird deshalb nur der Kanal L (links) gehört. Wenn Sie über Kopfhörer hören, schließen Sie diese an diese Buchse an. Wenn Sie an zwei Kanäle eines Mischpults speisen oder zwei Verstärker in Stereo verwenden, verwenden Sie ein Stereo-zu-Doppelmono-Kabel.
- Wenn Sie einen externen Fußschalter zum Wechseln von Anwenderprogrammen, manuelle

3

7

Effektparameter-Liste

AMP TYPE

| | |
|---------|---|
| VALVE | Ein Röhrenverstärker mit eingeschaltetem ULTRA LO-Schalter. (empfohlenes CAB: 810CLS) |
| VALVE2 | Ein Röhrenverstärker, der sich ideal für Rockmusik eignet. (empfohlenes CAB: 810CLS) |
| CLASSIC | Ein Röhrenverstärker, dessen Grundcharakter je nach Einstellung des Endlosreglers verschieden ist. (empfohlenes CAB: 118+112) |
| SCOOPEd | Ein Verstärker, der sich für die typischen 80er-Sounds eignet. (empfohlenes CAB: 410MTL) |
| LA STUD | Ein Verstärker, der sich für den typischen LA-Sound eignet. (empfohlenes CAB: 410 LA) |
| GOLDPNL | Ein Verstärker, der an seinem goldenen Bedienfeld und dem cleanen Sound zu erkennen ist. (empfohlenes CAB: 410MDN) |
| JAZZ | Ein Combo-Verstärker, der von Jazz-Bassisten bevorzugt wird. (empfohlenes CAB: 115JAZ) |
| STUDIO | Ein ideal für den Motown-Sound geeigneter Combo-Röhrenverstärker. (empfohlenes CAB: 115STU) |
| AC100 | Ein 100-W-Röhrenverstärker von Vox. (empfohlenes CAB: 215TALL) |
| SILVER | Ein amerikanischer Amp-Head mit Silberbeschlag aus dem Jahre 1967. (empfohlener CAB: 215TALL) |
| UKMAJOR | Ein aus England stammender 200-W-Röhrenverstärker. (empfohlenes CAB: 415 UK, 412 UK) |

CABINET

| | |
|---------|---|
| OFF | Der Sound einer direkten Line-Verbindung, die nicht durch ein Cabinet geführt wird. |
| 410LA | Lautsprecherbox mit vier 10-Zoll-Chassis (LA-Sound). |
| 410MDN | Moderne Lautsprecherbox mit vier 10-Zoll-Chassis. |
| 410MTL | Lautsprecherbox mit vier 10-Zoll-Aluminiumchassis. |
| 810CLS | Klassische Lautsprecherbox mit acht 10-Zoll-Chassis. |
| 412 UK | In England hergestellte Lautsprecherbox mit vier 12-Zoll-Chassis. |
| 115STU | Studio-Combo-Gehäuse mit einem 15-Zoll-Chassis. |
| 115JAZ | Jazz-Combo-Gehäuse mit einem 15-Zoll-Chassis. |
| 215TALL | Zwei 15-Zoll-Lautsprecher / vertikales Cabinet-Modell. |
| 415 UK | In England hergestellte Lautsprecherbox mit vier 15-Zoll-Chassis. |
| 118+112 | Lautsprecherbox mit einem 12-Zoll-Chassis und einem 18-Zoll-Chassis. |

EFFECT

| | |
|---------|--|
| PREAMP | Vorverstärker, eingestellt für einen klaren Sound. |
| DYNAEXC | Dynamischer Exciter-Effekt zur Beeinflussung der Anschlagstärke. (besonders geeignet, um Clean-Sounds höhenreicher klingen zu lassen) |
| DISt | Distortion-Effekt (Verzerrung) für Bassgitarre. |
| OCTAVE | Dieser Effekt erzeugt ein Signal, welches um eine Oktave niedriger liegt als das Ursprungssignal. Beide Signale werden miteinander gemischt, wodurch der Sound runder und ballastiger wird. Werden zwei oder mehr Saiten gleichzeitig angeschlagen, so arbeitet der Effekt möglicherweise nicht wie erwartet. Gleiches gilt beim Anschlagen von tiefen Saiten. |
| FILTER | Tiefpass-Auto-Wah. linke Hälfte: Abwärts-Sweep (V), rechte Hälfte: Aufwärts-Sweep (A) |
| CHORUS | Vintage Stereo Chor |
| FLANGE | Vintage Flanger |
| PHASER | Vintage Phaser |
| ROTARY | Drehlautsprecher-Simulation |
| DELAY | Stereo-Delay |
| REVERB | Spring-Reverb |

Reglerknöpfe

| | |
|----------|---|
| GAIN | Stellt Amp-Gain ein. Stellt simultan den Kompressor ein bei einem AMP TYPE von VALVE – JAZZ, oder die Verzerrung bei einem AMP TYPE von STUDIO – UKMAJOR. |
| TREBLE | Stellt Verstärker-Höhenbereich ein. |
| MIDDLE | Stellt Verstärker-Mittenbereich ein. |
| BASS | Stellt Verstärker-Tiefenbereich ein. |
| VOLUME | Stellt Verstärker-Lautstärke ein. |
| EFFDEPTH | Stellt Effekt-Tiefe ein. |
| NR | Stellt Rauschunterdrückungstiefe ein. (Die TAP-Taste gedrückt halten und EFFDEPTH drücken.) |
| FREQ | Wählt eine der fünf Mittenfrequenzen für MIDDLE (Mittenbereich). Dies kann bei einem AMP TYPE von VALVE – JAZZ eingestellt werden (halten Sie die TAP-Taste gedrückt und drehen Sie MIDDLE) |

Zum Zurückstellen auf werkseitige Einstellungen

Sie können PROG1 und PROG2 wie folgt auf werkseitige Voreinstellungen zurücksetzen.

- Halten Sie die WRITE-Taste (10) gedrückt und schalten Sie das Gerät ein.

Verwendung des optionalen Fußschalters

Wenn der optionale Fußschalter (PS-1 or PS-100) an die FOOT SW-Buchse (16) angeschlossen ist, können Sie einen Vorgang beim Einschalten ausführen, um festzulegen, ob der Fußschalter Programme umschalten oder Bypass ein/aus schalten soll.

Wenn Sie den Fußschalter zum Umschalten von Programmen verwenden wollen:

- Einfach einschalten.
- Drücken des Fußschalters wird in der Reihenfolge PROG1 → PROG2 → MANUAL → PROG1 ... umgeschaltet.

Wenn Sie zwischen Bypass und einem Programm umschalten wollen:

- Schalten Sie das Gerät ein, während Sie die PROG/MANU-Taste (3) gedrückt halten.
- Durch Drücken des Fußschalters wird Bypass ein/aus geschaltet. Dies erlaubt es, zwischen einem Programm nach Wahl und Bypass umzuschalten.

Der Betriebsmodus des Fußschalters kann nur durch diesen speziellen Vorgang beim Einschalten umgeschaltet werden.

Technische Daten und Optionen

| | |
|--------------------------|---|
| Verstärker-Modelle: | 11 |
| Cabinet-Modelle: | 10 |
| Effekte: | 11 + Rauschunterdrückung |
| Programme: | 2 Anwender, 1 manuell, 11 Vorwahl |
| Eingang: | Bassgitarreneingang (Mono 1/4-Zoll-Buchse) |
| Ausgang: | Line/Kopfhörer Doppel-Ausgang (Stereo 1/4-Zoll-Buchse) |
| Stromversorgung: | Zwei Alkali-Mignonzellen (AA, R6) (erlaubt ca. 10 Stunden kontinuierlichen Betrieb) oder getrennt erhältliches Netzteil (DC 4,5V ⚡) |
| Abmessungen (B x T x H): | 144 mm x 78 mm x 48 mm (ohne hervorstehende Teile) |
| Gewicht: | 222 g (ohne Batterien) |
| Zubehör: | Bedienungshandbuch, zwei Alkali-Mignonzellen (AA, R6) |
| Optionen: | Netzteil, Fußschalter (PS-1 oder PS-100) |

* Änderungen des Designs und der technischen Daten ohne Vorankündigung bleiben im Sinne ständiger Produktverbesserungen vorbehalten.

Was ist REMS?

REMS (Resonant Structure and Electronic Circuit Modeling System) ist eine von Korg entwickelte Klangformungstechnologie, die den komplexen Charakter und das Verhalten von akustischen und elektrischen Instrumenten wie auch elektronischen Schaltungen in realen Umgebungen präzise nachbildet.

REMS simuliert eine Vielzahl von Klangerzeugungscharakteristiken: Instrumentenkörper/-gehäuse, Lautsprecher und Boxen, akustische Umgebungen, Vakuumröhren, Transistoren, usw.

Einstellungen oder Bypass verwenden, schließen Sie den optionalen Korg PS-1 oder PS-100 Fußschalter zur FOOT SW-Buchse (16).

- Wenn Sie die Verbindungen hergestellt haben, schalten Sie die angeschlossenen Geräte an und stellen die Lautstärke ein.

Wählen von Programmen (Ton)

Vorwahlprogramme (11 Programme)

- Drücken Sie die PRESET-Taste (2), so dass die LED aufleuchtet.
- Drehen Sie den AMP TYPE-Wahlschalter (4). Vorwahlprogramme mit Cabinet- und Effekt-Einstellungen geeignet für jeden Verstärkertyp werden gewählt.

Anwenderprogramme (PROG1,2), Manuell

Drücken Sie die PROG/MANU-Taste (3). Bei jedem Tastendruck wird durch die drei Einstellungen weiterschaltet, wie folgt.

| | |
|-------------------------------------|--|
| PROG1 (LED leuchtet grün): | Anwender-schreibbares Programm 1 |
| PROG2 (LED leuchtet rot): | Anwender-schreibbares Programm 2 |
| MANUAL (LED leuchtet orangefarben): | Die aktuellen Einstellungen von Knöpfen und Wahl-schaltern |

Bypass

Wenn Sie Bypass wählen, hören Sie nur den direkten (unbeeinflussten) Sound Ihres Basses. Wenn Ampworks umgangen wird, erlischt die manual/program LED (PRESET oder PROG/MANU).

- Um Ampworks zu umgehen, halten Sie die PROG/MANU-Taste (3) etwa zwei Sekunden lang gedrückt. Drücken Sie die PROG/MANU-Taste erneut, um Bypass aufzuheben.

Erzeugen Ihres Sounds

Um Ihren eigenen Sound zu erzeugen, können Sie entweder mit einem vorhandenen Programm beginnen und es modifizieren, oder einen Sound neu erzeugen. Wenn Sie mit einem vorhandenen Programm beginnen, wählen Sie das gewünschte Programm und verwenden dann die Reglerknöpfe (6), um die Amp-Einstellungen vorzunehmen oder den Effekt und die Effektivtiefe einzustellen. Sie können auch das Cabinet ändern. Alternativ, wenn Sie Ihre eigenen Sounds neu erzeugen wollen, können Sie verfahren wie folgt. Dabei sollten Sie die die PROG/MANU-Taste (3) drücken, um MANUAL zu wählen.

- Verwenden Sie den AMP TYPE-Wahlschalter (4) zum Wählen eines der 11 Verstärkertypen.
- Verwenden Sie den CABINET-Wahlschalter (5) zum Wählen eines der 11 Cabinet-Modelle. Die Kombination von Verstärkertyp und Cabinet bestimmt die grundlegende Tonausgangseigenschaft des Verstärkers. Jedes Cabinet-Modell kann mit jedem Verstärkermodell verwendet werden. Einige empfohlene Kombinationen sind in der "Effektparameter-Liste" aufgeführt. Wenn Sie keine Effekte verwenden wollen, stellen Sie den EFFDEPTH-Knopf (8) auf "0" (ganz nach links).
- Verwenden Sie die Reglerknöpfe (6) zum Einstellen von Gain, Ton und Lautstärke des Modeling-Verstärkers. Drehen Sie den GAIN-Knopf zur Einstellung des Verstärkungsfaktors (Gain). Wenn der gewählte Verstärkertyp VALVE – JAZZ ist, wird durch Einstellung von Gain auch die Kompressor tiefe ()

1

5

2

6

3

7

4

8

Vorsichtsmaßnahmen

Aufstellungsort

- Vermeiden Sie das Aufstellen des Geräts an Orten, an denen es direkter Sonneneinstrahlung ausgesetzt ist;
- hohe Feuchtigkeit oder Extremtemperaturen auftreten können;
- Staub oder Schmutz in großen Mengen vorhanden sind;
- das Gerät Erschütterungen ausgesetzt sein kann.
- in der Nähe eines Magnetfeldes.

Stromversorgung

Schließen Sie das beiliegende Netzteil nur an eine geeignete Steckdose an. Verbinden Sie es niemals mit einer Steckdose einer anderen Spannung.

Störeinflüsse auf andere Elektrogeräte

Dieser kann bei in der Nähe aufgestellten Rund-funkempfängern oder Fernsehgeräten Empfangsstörungen hervorrufen. Betreiben Sie solche Geräte nur in einem geeigneten Abstand von diesem Erzeugnis.

Bedienung

Vermeiden Sie bei der Bedienung von Schaltern und Reglern unangemessenen Kraftaufwand.

Reinigung

Bei auftretender Verschmutzung können Sie das Gehäuse mit einem trockenen, sauberen Tuch abwischen. Verwenden Sie keinerlei Flüssigreiniger wie beispielsweise Reinigungsbenzin, Verdünnungs- oder Spülmittel. Verwenden Sie niemals brennbare Reiniger.

Bedienungsanleitung

Bewahren Sie diese Bedienungsanleitung gut auf, falls Sie sie später noch einmal benötigen.

Flüssigkeiten und Fremdkörper

Stellen Sie niemals Behältnisse mit Flüssigkeiten in der Nähe des Geräts auf. Wenn Flüssigkeit in das Gerät gelangt, können Beschädigung des Geräts, Feuer oder ein elek-trischer Schlag die Folge sein.

Beachten Sie, daß keinerlei Fremdkörper in das Gerät gelangen. Sollte ein Fremdkörper in das Gerät gelangt sein, so trennen Sie es sofort vom Netz. Wenden Sie sich dann an Ihren KORG-Fachhändler.

Das CE-Zeichen für die Europäische Gemeinschaft

Vor dem 31.12.1996 vergebene CE-Zeichen auf unseren netzgespeisten Geräten zeigen an, daß diese Geräte gemäß der EMC-Richtlinie (89/336/EWG) und der CE-Richtlinie (93/68/EWG) der EU arbeiten.

Nach dem 01.01.1997 vergebene CE-Zeichen auf unseren netzgespeisten Geräten zeigen an, daß diese Geräte gemäß der EMC-Richtlinie (89/336/EWG), der CE-Richtlinie (93/68/EWG) und der Niederspannungsstromrichtlinie (73/23/EWG) der EU arbeiten. Die CE-Zeichen auf unseren batteriegespeisten Geräten zeigen an, daß diese Geräte gemäß der EMC-Richtlinie (89/336/EWG) und der CE-Richtlinie (93/68/EWG) der EU arbeiten.

WICHTIGER HINWEIS FÜR KUNDEN

Dieses Produkt wurde unter strenger Beachtung von Spezifikationen und Spannungsanforderungen hergestellt, die im Bestimmungsland gelten. Wenn Sie dieses Produkt über das Internet, per Postversand und/oder mit telefonischer Bestellung gekauft haben, müssen Sie bestätigen, dass dieses Produkt für Ihr Wohngebiet ausgelegt ist.

WARNING: Verwendung dieses Produkts in einem anderen Land als dem, für das es bestimmt ist, verwendet wird, kann gefährlich sein und die Garantie des Herstellers oder Importeurs hinfällig lassen werden. Bitte bewahren Sie diese Quittung als Kaufbeleg auf, da andernfalls das Produkt von der Garantie des Herstellers oder Importeurs ausgeschlossen werden kann.

PROG1

Control panel for PROG1. The top row contains seven knobs: GAIN, BASS, MIDDLE (with FREQ label), TREBLE, VOLUME, EFF.DEPH, and NR. Below the knobs is the text "Ampworks bass MODELING SIGNAL PROCESSOR". The bottom section features three large circular buttons: "VALVE2" (AMP TYPE), "810CLS" (CABINET), and "REVERB" (EFFECT). A "TAP" button is located to the right of the buttons, with a value of "0.5 [s]".

PROG2

Control panel for PROG2. The top row contains seven knobs: GAIN, BASS, MIDDLE (with FREQ label), TREBLE, VOLUME, EFF.DEPH, and NR. Below the knobs is the text "Ampworks bass MODELING SIGNAL PROCESSOR". The bottom section features three large circular buttons: "JAZZ" (AMP TYPE), "115JAZ" (CABINET), and "REVERB" (EFFECT). A "TAP" button is located to the right of the buttons, with a value of "1.8 [s]".

VALVE

Control panel for VALVE. The top row contains seven knobs: GAIN, BASS, MIDDLE (with FREQ label), TREBLE, VOLUME, EFF.DEPH, and NR. Below the knobs is the text "Ampworks bass MODELING SIGNAL PROCESSOR". The bottom section features three large circular buttons: "VALVE" (AMP TYPE), "810CLS" (CABINET), and "EXCITER" (EFFECT). A "TAP" button is located to the right of the buttons, with a value of "...".

VALVE2

Control panel for VALVE2. The top row contains seven knobs: GAIN, BASS, MIDDLE (with FREQ label), TREBLE, VOLUME, EFF.DEPH, and NR. Below the knobs is the text "Ampworks bass MODELING SIGNAL PROCESSOR". The bottom section features three large circular buttons: "VALVE2" (AMP TYPE), "810CLS" (CABINET), and "DELAY" (EFFECT). A "TAP" button is located to the right of the buttons, with a value of "640 [ms]".

CLASSIC

Control panel for CLASSIC. The top row contains seven knobs: GAIN, BASS, MIDDLE (with FREQ label), TREBLE, VOLUME, EFF.DEPH, and NR. Below the knobs is the text "Ampworks bass MODELING SIGNAL PROCESSOR". The bottom section features three large circular buttons: "CLASSIC" (AMP TYPE), "118+112" (CABINET), and "PHASER" (EFFECT). A "TAP" button is located to the right of the buttons, with a value of "1.14 [Hz]".

SCOOPED

Control panel for SCOOPED. The top row contains seven knobs: GAIN, BASS, MIDDLE (with FREQ label), TREBLE, VOLUME, EFF.DEPH, and NR. Below the knobs is the text "Ampworks bass MODELING SIGNAL PROCESSOR". The bottom section features three large circular buttons: "SCOOPED" (AMP TYPE), "410MTL" (CABINET), and "OCTAVE" (EFFECT). A "TAP" button is located to the right of the buttons, with a value of "...".

LA STUD

Control panel for LA STUD. The top row contains seven knobs: GAIN, BASS, MIDDLE (with FREQ label), TREBLE, VOLUME, EFF.DEPH, and NR. Below the knobs is the text "Ampworks bass MODELING SIGNAL PROCESSOR". The bottom section features three large circular buttons: "LA STUD" (AMP TYPE), "410LA" (CABINET), and "FLANGE" (EFFECT). A "TAP" button is located to the right of the buttons, with a value of "0.57 [Hz]".

GOLDPNL

Control panel for GOLDPNL. The top row contains seven knobs: GAIN, BASS, MIDDLE (with FREQ label), TREBLE, VOLUME, EFF.DEPH, and NR. Below the knobs is the text "Ampworks bass MODELING SIGNAL PROCESSOR". The bottom section features three large circular buttons: "GOLDPNL" (AMP TYPE), "410MDN" (CABINET), and "PREAMP" (EFFECT). A "TAP" button is located to the right of the buttons, with a value of "...".

JAZZ

GAIN, BASS, MIDDLE, TREBLE, VOLUME, EFF.DEPH, NR
 FREQ
Ampworks bass
 MODELING SIGNAL PROCESSOR
 TAP 1.6 [s]
 AMP TYPE: JAZZ
 CABINET: 115JAZ
 EFFECT: REVERB

STUDIO

GAIN, BASS, MIDDLE, TREBLE, VOLUME, EFF.DEPH, NR
 FREQ
Ampworks bass
 MODELING SIGNAL PROCESSOR
 TAP 0.57 [Hz]
 AMP TYPE: STUDIO
 CABINET: 115STU
 EFFECT: CHORUS

AC100

GAIN, BASS, MIDDLE, TREBLE, VOLUME, EFF.DEPH, NR
 FREQ
Ampworks bass
 MODELING SIGNAL PROCESSOR
 TAP ---
 AMP TYPE: AC100
 CABINET: 215TALL
 EFFECT: DIST

SILVER

GAIN, BASS, MIDDLE, TREBLE, VOLUME, EFF.DEPH, NR
 FREQ
Ampworks bass
 MODELING SIGNAL PROCESSOR
 TAP ---
 AMP TYPE: SILVER
 CABINET: 215TALL
 EFFECT: FILTER

UKMAJOR

GAIN, BASS, MIDDLE, TREBLE, VOLUME, EFF.DEPH, NR
 FREQ
Ampworks bass
 MODELING SIGNAL PROCESSOR
 TAP 6.25 [Hz]
 AMP TYPE: UKMAJOR
 CABINET: 415UK
 EFFECT: ROTARY

Wanna remember how you set up your favourite programs? Well this is the place to do it!

WORD TO THE WISE: There's only two panels you can fill out here so do yourself a favor by photocopying it and then keep a blank "master" so you can make more copies whenever you like.

Program name:

GAIN, BASS, MIDDLE, TREBLE, VOLUME, EFF.DEPH, NR
 FREQ
Ampworks bass
 MODELING SIGNAL PROCESSOR
 TAP
 AMP TYPE: _____
 CABINET: _____
 EFFECT: _____

Program name:

GAIN, BASS, MIDDLE, TREBLE, VOLUME, EFF.DEPH, NR
 FREQ
Ampworks bass
 MODELING SIGNAL PROCESSOR
 TAP
 AMP TYPE: _____
 CABINET: _____
 EFFECT: _____