

STAGEMAN 80 KORG ST-S80 Speaker Stand

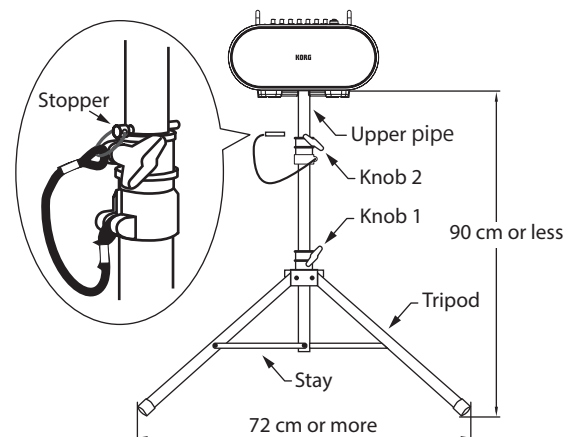
Using a speaker stand

Caution when using a stand

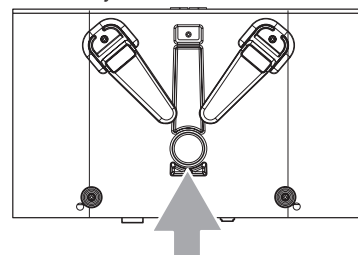
In order to use this product correctly, you must carefully read and observe the following cautions.

- Do not use the STAGEMAN 80 with any stand other than the recommended stand.
- Use the speaker stand at a height no greater than 90 cm (approximately 2' 9 5/8" see illustration). If you use it at any greater height, the system may overturn, causing personal injury or equipment damage.
- Extend the legs to 72 cm (approximately 2' 36") or more (see illustration). If the legs are extended less than this, the system may overturn, causing personal injury or damaging your equipment.
- Do not use the speaker stand in an unstable location or on a tilted surface. If you use the speaker stand in an unstable location, the system may overturn, causing personal injury or equipment damage.
- Take care that all cables connected to the STAGEMAN 80 are routed appropriately to avoid tangling. If a person's foot becomes caught in a cable, the system may overturn, causing personal injury or equipment damage.
- Do not place any object on a STAGEMAN 80 that is mounted on a speaker stand. Such objects may fall or cause the stand to overturn, causing personal injury or equipment damage.

Assembling the stand and mounting the STAGEMAN 80



1. **Loosen knob 1 and open the tripod sufficiently.**
Open the stand all the way until the stays are horizontal. Make sure that the legs are at least 72 cm (approximately 2' 36") apart.
 - ⚠ If the legs are not sufficiently far apart, the stand may overturn.
2. **Firmly tighten knob 1.**
3. **Loosen knob 2 and extend the upper pipe.**
4. **Insert the stopper into the hole of the upper pipe.**
 - ⚠ Take care not to pinch your fingers.
 - ⚠ The stopper must be inserted when you use the system.
5. **Lower the upper pipe until it stops at the stopper.**
6. **Firmly tighten knob 2.**
7. **Mount the STAGEMAN 80 on the upper pipe.**
Insert the upper pipe of the ST-S80 into the mounting socket located on the bottom of the STAGEMAN 80 (the location indicated by the arrow in the illustration below).



Caution when mounting

Observe the following cautions when mounting the STAGEMAN 80 on a speaker stand.

- You must obtain the help of at least one other person when mounting the STAGEMAN 80 on a stand.
- Take care not to pinch your fingers.
- Do not tilt the stand with the STAGEMAN 80 mounted on it.
- Never adjust the height of the stand while the STAGEMAN 80 is mounted on it.
- Make sure that the height from the floor to the bottom of the STAGEMAN 80 (see illustration at left) is no more than 90 cm (approximately 2' 9 5/8").

STAGEMAN 80 ULTIMATE Support Corporation's TS-70B Speaker Stand

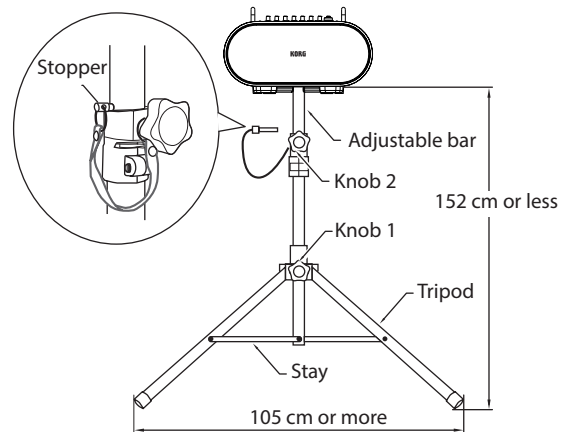
Using a speaker stand

Caution when using a stand

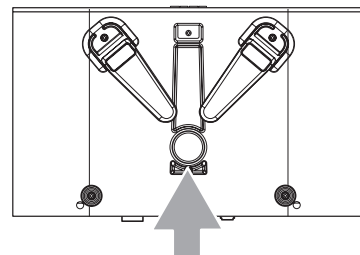
In order to use this product correctly, you must carefully read and observe the following cautions.

- Do not use the STAGEMAN 80 with any stand other than the recommended stand.
- Use the speaker stand at a height no greater than 152 cm (approximately 4' 99" see illustration).
If you use it at any greater height, the system may overturn, causing personal injury or equipment damage.
- Extend the legs to 105 cm (approximately 3' 5") or more (see illustration).
If the legs are extended less than this, the system may overturn, causing personal injury or damaging your equipment.
- Do not use the speaker stand in an unstable location or on a tilted surface.
If you use the speaker stand in an unstable location, the system may overturn, causing personal injury or equipment damage.
- Take care that all cables connected to the STAGEMAN 80 are routed appropriately to avoid tangling.
If a person's foot becomes caught in a cable, the system may overturn, causing personal injury or equipment damage.
- Do not place any object on a STAGEMAN 80 that is mounted on a speaker stand.
Such objects may fall or cause the stand to overturn, causing personal injury or equipment damage.

Assembling the stand and mounting the STAGEMAN 80



1. **Loosen knob 1 and open the tripod sufficiently.**
Make sure that the legs are at least 105 cm (approximately 3' 5") apart.
 - ⚠ If the legs are not sufficiently far apart, the stand may overturn.
2. **Firmly tighten knob 1.**
3. **Loosen knob 2 and extend the adjustable bar.**
4. **Insert the stopper into the hole of the adjustable bar.**
 - ⚠ Take care not to pinch your fingers.
 - ⚠ The stopper must be inserted when you use the system.
5. **Lower the adjustable bar until it stops at the stopper.**
6. **Firmly tighten knob 2.**
7. **Mount the STAGEMAN 80 on the adjustable bar.**
Insert the adjustable bar of the TS-70B into the mounting socket located on the bottom of the STAGEMAN 80 (the location indicated by the arrow in the illustration below).



Caution when mounting

Observe the following cautions when mounting the STAGEMAN 80 on a speaker stand.

- You must obtain the help of at least one other person when mounting the STAGEMAN 80 on a stand.
- Take care not to pinch your fingers.
- Do not tilt the stand with the STAGEMAN 80 mounted on it.
- Never adjust the height of the stand while the STAGEMAN 80 is mounted on it.
- Make sure that the height from the floor to the bottom of the STAGEMAN 80 (see illustration at left) is no more than 152 cm (approximately 4' 99").